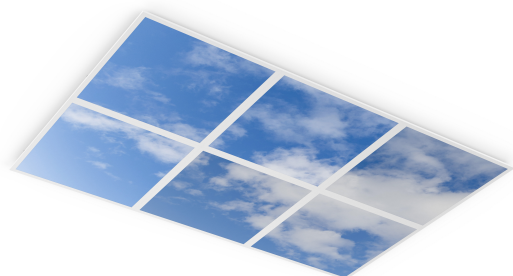


PRODUCT DATASHEET

PL PRINT SKY 600 V 33W SET6

PANEL PRINT SKY 600 | Panel luminaires featuring a printed realistic sky image, for 600 x 600 ceiling systems



Areas of application

- Suitable for recessed ceiling systems with grid size of 600 x 600 mm
- Lounges, reception areas, foyers, corridors, elevators
- Decorative illumination

Product benefits

- Brings natural looking sky into buildings
- Luminous ceiling creating an atmosphere that comforts people
- Available as a single panel, set of 6 and set of 9
- Other images, customized patterns and logos on request
- External driver with an optional 3-pole through-wiring feature
- Version with DALI ECG available

Product features

- Extruded aluminum frame, metal housing
- Color coated polystyrene diffuser
- UGR ≤ 22 with a 120° beam angle
- Lifetime (L80/B10): up to 50,000 h (at 25 °C)



TECHNICAL DATA

Electrical data

Nominal wattage	198 W
Nominal voltage	220...240 V
Mains frequency	50...60 Hz
Nominal current	150 mA
Inrush current	12.3 A
Inrush current time T_{h50}	52 μ s
Max. number of luminaires per miniature circuit breaker B16	61
Max. number of luminaires per miniature circuit breaker C10	48
Max. number of luminaires per miniature circuit breaker C16	78
Power factor λ	> 0.90
Protection class	II
Operating mode	External LED driver

Photometrical data

Luminous flux	21870 lm ¹⁾
Luminous efficacy	110 lm/W ¹⁾
Color rendering index Ra	80 ¹⁾
Standard deviation of color matching	> 5 sdcM ¹⁾
Low flicker	Yes
Flickering metric (Pst LM)	<1
Stroboscope effect metric (SVM)	< 0.4
Photobiological safety group acc. to EN62778	RG0
Beam angle	120 °

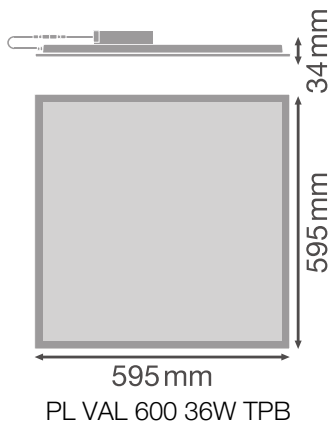
¹⁾ Decorative Panel: Lumen/Efficacy as well as SDCM and CRI will vary from the original Panel values based on the printed image

Dimensions & Weight

Length	595.00 mm ¹⁾
Width	595 mm ²⁾
Height	32.00 mm
Product weight	15800.00 g

¹⁾ 3x595 mm

²⁾ 2x595 mm



Materials & Colors

Product color	White
Housing color	White
Body material	Aluminum
Cover material	Polystyrene (PS)
Light emitting surface material	Polystyrene
Glow Wire Test according to IEC 60695-2-12	650 °C
Mercury content	0.0 mg

Application & Mounting

Ambient temperature range	-10...+45 °C
Temperature range at storage	-20...+70 °C
Type of connection	Push connector, 2-Pole (L/N)
Type of protection	IP40/IP20
Protection class IK (shock resistance)	IK02
Dimmable	No
Mounting type	Recessed
Mounting location	Ceiling
Mounting length	575 mm
Mounting width	575 mm
Mounting depth	50,0 mm
Adjustable	No
With light source	Yes
Replaceable light source	No

Lifespan

Lifespan L70/B50 at 25 °C	70000 h ¹⁾
Lifespan L80/B10 at 25 °C	50000 h ¹⁾
Lifespan L80/B50 at 25 °C	50000 h
Lifespan L90/B10 at 25 °C	40000 h
Number of switching cycles	50000

¹⁾ t[h]: L70 / B50 @ 25 °C (Ta), t[h]: L80 / B10 @ 25 °C (Ta), t[h]: L90 / B10 @ 25 °C (Ta)

Control gear

Output current	700 mA
ECG - Output ripple current	< 7 %
ECG - Length	116.7 mm
ECG - Width	49.9 mm
ECG - Height	27 mm

Certificates & Standards

Standards	CE / UKCA / EAC
Luminaire with limited surface temperature, "D sign"	No
Ball shot safe	No

Additional product data

Product remark	Available from April 2025
----------------	---------------------------









EQUIPMENT / ACCESSORIES

- Accessories for several mounting options available
- Security rope for luminaire included
- Security brackets preinstalled
- External control gear included

Safety advice

- The individual pattern can have influence on the perceived CRI, color temperature and lumen value.

DOWNLOAD DATA

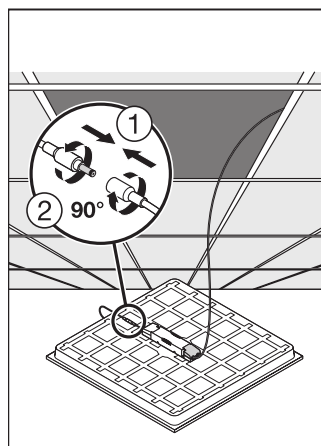
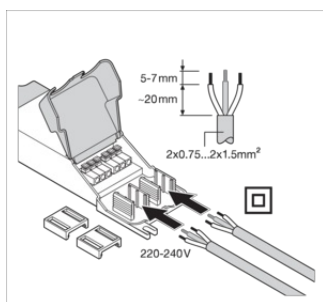
Documents and certificates		Document name
	User instruction / safety instructions	PL PRINT SKY1
	Legal information	Informationstext 18 Abs 4 ElektroG
	Legal information	Legal Insert G11146927
	Legal information	Safety Insert G11207793
	Legal information	PL PRINT SKY1
	Legal information	PL PRINT SKY DA
	Declarations of conformity	PL PRINT SKY
	Declarations of conformity UKCA	PL PRINT SKY

LOGISTICAL DATA

Product code	Packaging unit (Pieces/Unit)	Dimensions (length x width x height)	Gross weight	Volume
4099854538377	Shipping box 1	677 mm x 240 mm x 628 mm	17201.00 g	102.04 dm ³

The mentioned product code describes the smallest quantity unit which can be ordered. One shipping unit can contain one or more single products. When placing an order, for the quantity please enter single or multiples of a shipping unit.

ADDITIONAL CATALOG INFORMATION



References / Links

– For Guarantee see www.ledvance.com/guarantee

DISCLAIMER

Subject to change without notice. Errors and omission excepted. Always make sure to use the most recent release.