

PRODUCT DATASHEET

Lunetta Flare 830 Black

LUNETTA FLARE | Indoor mobile luminaires



Areas of application

- General indoor illumination
- Nightlight as an orientation light or safety light for children's rooms, stairs, or bedrooms

Product benefits

- Attractive and functional design

Product features

- Built-in day and night sensors for hands-free operation
- Effortlessly plugs into wall outlets - no batteries or cables required

TECHNICAL DATA**Electrical data**

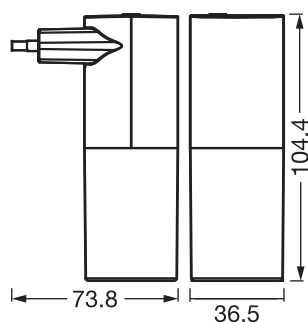
Nominal wattage	0.20 W
Nominal voltage	220...240 V
Mains frequency	50...60 Hz
Nominal current	16.000 mA
Inrush current	0.016 A
Inrush current time T_{h50}	580 μ s
Max. number of luminaires per miniature circuit breaker B16	800
Max. number of luminaires per miniature circuit breaker C10	500
Max. number of luminaires per miniature circuit breaker C16	800
Power factor λ	≥ 0.01
Total harmonic distortion	< 50 %
Protection class	II
Operating mode	Mains voltage

Photometrical data

Luminous flux	3 lm
Luminous efficacy	15 lm/W
Color temperature	3000 K
Light color (designation)	Warm White
Color rendering index Ra	> 80
Standard deviation of color matching	< 6 sdc _m
Photobiological safety group acc. to EN62778	RG0
Beam angle	360 °

Dimensions & Weight

Length	36.50 mm
Width	73.80 mm
Height	104.40 mm
Product weight	52.00 g



LUNETTA FLARE 830 BK

Materials & Colors

Product color	Black
Housing color	Black
Body material	Polycarbonate (PC)
Cover material	Polycarbonate (PC)
Glow Wire Test according to IEC 60695-2-12	650 °C

Application & Mounting

Ambient temperature range	-20...+40 °C
Temperature range at storage	-20...+80 °C
Type of connection	USB Type-C
Type of protection	IP20
Dimmable	No
Mounting type	Surface
Mounting location	Socket
Application environment	Indoor
With light source	Yes
Replaceable light source	No

Lifespan

Number of switching cycles	12500
----------------------------	-------

Sensor

Type of sensor	Light
Detection threshold of daylight sensor	0...20 lx

Certificates & Standards

Standards	CE / EAC
Replaceable light source (EPREL)	Not replaceable



Additional product data

Product remark	Available from June 2025
----------------	--------------------------

Safety advice

- This product is not a toy. It should not be left unattended in the hands of children or operated by children.
- Not designed as a replacement for conventional lighting in private household.

DOWNLOAD DATA

Documents and certificates	Document name
 Legal information	Safety Insert LUNETTA
 Declarations of conformity	CE Declaration of Conformity Lunetta

LOGISTICAL DATA

Product code	Packaging unit (Pieces/Unit)	Dimensions (length x width x height)	Gross weight	Volume
4099854444418	Blister 1	80 mm x 140 mm x 195 mm	65.00 g	2.18 dm ³
4099854444425	Shipping box 6	495 mm x 154 mm x 212 mm	648.00 g	16.16 dm ³

The mentioned product code describes the smallest quantity unit which can be ordered. One shipping unit can contain one or more single products. When placing an order, for the quantity please enter single or multiples of a shipping unit.

DISCLAIMER

Subject to change without notice. Errors and omission excepted. Always make sure to use the most recent release.