

PRODUCT DATASHEET

HB COMP V REFL 83W 80DEG SI

HIGH BAY COMPACT REFLECTOR | Aluminum reflector for HIGHBAY COMPACT luminaires



Product features

- Beam angle: 80°
- High-quality aluminum reflector

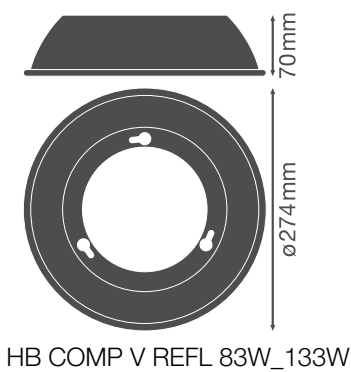
TECHNICAL DATA

Photometrical data

Beam angle	80 °
------------	------

Dimensions & Weight

Diameter	274 mm
Height	70.0 mm
Product weight	197.00 g






Materials & Colors

Product color	Silver
Body material	Aluminum

Application & Mounting

Replaceable light source	No
--------------------------	----

DOWNLOAD DATA

Documents and certificates		Document name
	User instruction / safety instructions	UI HighBay Compact V 110D
	Legal information	Informationstext 18 Abs 4 ElektroG
Tender texts		Document name
	Tender documents	HIGH BAY COMPACT REFLECTOR 83W 80DEG SI-EN

LOGISTICAL DATA

Product code	Packaging unit (Pieces/Unit)	Dimensions (length x width x height)	Gross weight	Volume
4058075715233	Shipping box 2	290 mm x 90 mm x 305 mm	644.00 g	7.96 dm ³

The mentioned product code describes the smallest quantity unit which can be ordered. One shipping unit can contain one or more single products. When placing an order, for the quantity please enter single or multiples of a shipping unit.

References / Links

– For Guarantee see www.ledvance.com/guarantee

DISCLAIMER

Subject to change without notice. Errors and omission excepted. Always make sure to use the most recent release.