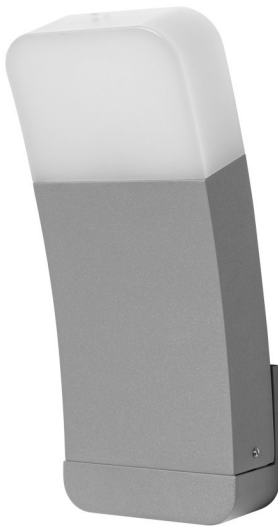


# PRODUCT FAMILY DATASHEET

## SMART+ CURVE MULTICOLOR

Luminaires with WiFi technology



---

### AREAS OF APPLICATION

- General illumination
- Gardens
- Patios, balconies

---

### PRODUCT BENEFITS

- Easy and quick installation
- Colorful garden lighting with smart and intelligent control options
- Combines the functionality of general lighting and mood lighting

---

### PRODUCT FEATURES

- Controllable via LEDVANCE SMART+ WiFi App (with minimum Android 4.4 or iOS 9.0)
- Controllable via voice control available: Google Assistant or Amazon Alexa
- RGB color control, approx. 16 million color options adjustable
- Dimmable
- Color temperature: 3,000 K (Warm White)
- Network protocol: WiFi
- Type of protection: IP44



TECHNICAL DATA

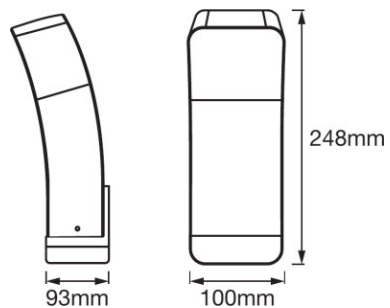
Product description	Electrical data				Photometrical data					Light technical data	Dimensions & weight
	Nominal wattage	Nominal voltage	Operating mode	Mains frequency	Color rendering index Ra	Luminous flux	Luminous efficacy	Light color (designation)	Color temperature	Beam angle	Length
SMART+ WIFI CURVE DG <sup>1)</sup>	9.00 W	220...240 V	Mains voltage	50/60 Hz	≥80	520 lm	58 lm/W	RGBW	3000 K	260 °	93.0 mm
SMART+ WIFI CURVE SI <sup>1)</sup>	9.00 W	220...240 V	Mains voltage	50/60 Hz	≥80	520 lm	58 lm/W	RGBW	3000 K	260 °	93.0 mm

Product description	Height	Width	Colors & materials				Temperatures & operating conditions	Lifespan	Additional product data
			Cover material	Housing color	Body material	Product color	Ambient temperature range	Number of switching cycles	Mounting type
SMART+ WIFI CURVE DG <sup>1)</sup>	248.0 mm	100.0 mm	Polycarbonate (PC)	Dark gray	Aluminum	Dark gray	-20...+40 °C	12500	Surface
SMART+ WIFI CURVE SI <sup>1)</sup>	248.0 mm	100.0 mm	Polycarbonate (PC)	Silver	Aluminum	Silver	-20...+40 °C	12500	Surface

Product description	Mounting location	Capabilities			Certificates & standards	
		Dimmable	Compatible smart home technology	Type of connection	Protection class	Standards
SMART+ WIFI CURVE DG <sup>1)</sup>	Wall	Yes	Google Assistant / Amazon Alexa	Terminal, 3-Pole (L, N, PE)	I	CE/EAC/RE ACH/RoHS
SMART+ WIFI CURVE SI <sup>1)</sup>	Wall	Yes	Google Assistant / Amazon Alexa	Terminal, 3-Pole (L, N, PE)	I	CE/EAC/RE ACH/RoHS

Product description	Type of protection
SMART+ WIFI CURVE DG <sup>1)</sup>	IP44
SMART+ WIFI CURVE SI <sup>1)</sup>	IP44

<sup>1)</sup> Reset settings to default by switching the product on for three seconds and off for three seconds and repeating this five times.



SMART+ WIFI CURVE DG, SMART+ WIFI CURVE SI

#### EQUIPMENT / ACCESSORIES

- Mounting screws and dowels included
- Control via app or voice control requires compatible Smart home system
- For control via LEDVANCE SMART + WiFi App, a smart phone or Tablet PC is required

#### APPLICATION ADVICE

For more detailed application information and graphics please see product datasheet.

#### LOGISTICAL DATA

Product code	Packaging unit (Pieces/Unit)	Dimensions (length x width x height)	Gross weight	Volume
4058075478343	Shipping carton box 4	278 mm x 238 mm x 249 mm	4463.00 g	16.47 dm <sup>3</sup>

Product code	Packaging unit (Pieces/Unit)	Dimensions (length x width x height)	Gross weight	Volume
4058075478367	Shipping carton box 4	278 mm x 238 mm x 249 mm	4463.00 g	16.47 dm <sup>3</sup>

The mentioned product code describes the smallest quantity unit which can be ordered. One shipping unit can contain one or more single products. When placing an order, for the quantity please enter single or multiples of a shipping unit.

---

#### DISCLAIMER

Subject to change without notice. Errors and omission excepted. Always make sure to use the most recent release.