

PRODUCT FAMILY DATASHEET

FLOODLIGHT 80 W

Versatile floodlight with 80 W power consumption



AREAS OF APPLICATION

- Replacement for floodlights with halogen lamps
- Outdoor use (IP65)
- Industry
- Public areas
- Construction areas
- Building facades

PRODUCT BENEFITS

- Bright, robust and durable
- Safe and very uniform illumination, due to frosted and tempered glass diffuser
- No upper light output ratio (ULOR 0%) when mounted at 0° tilt
- Energy savings of up to 90 % compared to halogen lamp floodlights
- 5 years guarantee

PRODUCT FEATURES

- Reflector-based, symmetric light distribution with 100° x 100° beam angle
- Integrated wide voltage driver, suitable for 100 - 277 V_{AC}
- Surge protection: up to 6 kV (L/N-PE), 4 kV (L-N)
- Mounting bracket with 30° angle and wide rotation area
- Breather membrane to optimize air exchange, without compromising IP protection
- Pre-installed, flexible 1 m cable (H05RN-F), wrapped 3 x 1.0 mm² single wires



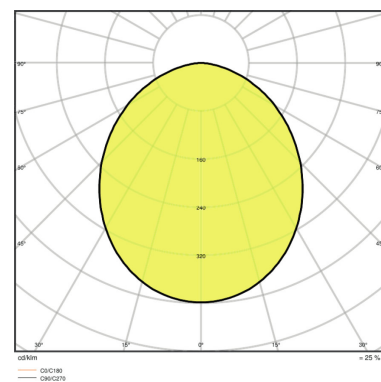
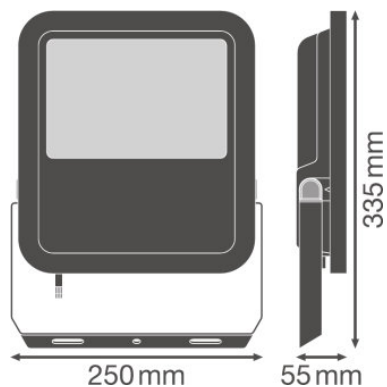
TECHNICAL DATA

Product description	Electrical data			Photometrical data			Light technical data	Dimensions & weight				Colors & materials
	Nominal wattage	Nominal voltage	Mains frequency	Luminous flux	Light color (designation)	Color rendering index Ra	Beam angle	Length	Width	Height	Product weight	Body material
FL PFM 80 W 3000 K SYM 100 BK ¹⁾	80.00 W	100...277 V	50/60 Hz	8800 lm	Warm White	≥80	100 ° x 100 °	335.0 mm	250.0 mm	55.0 mm	2800.00 g	Aluminum
FL PFM 80 W 4000 K SYM 100 BK ¹⁾	80.00 W	100...277 V	50/60 Hz	10000 lm	Cool White	≥80	100 ° x 100 °	335.0 mm	250.0 mm	55.0 mm	2800.00 g	Aluminum
FL PFM 80 W 6500 K SYM 100 BK ¹⁾	80.00 W	100...277 V	50/60 Hz	10000 lm	Cool Daylight	≥80	100 ° x 100 °	335.0 mm	250.0 mm	55.0 mm	2800.00 g	Aluminum

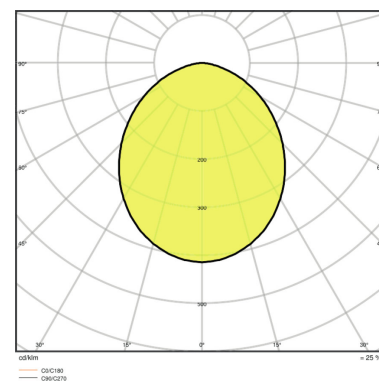
Product description	Housing color	Product color	Temperatures & operating conditions	Lifespan	Lifespan L70/B50 at 25 °C	Lifespan L80/B10 at 25 °C	Lifespan L90/B10 at 25 °C
			Ambient temperature range	Number of switching cycles			
FL PFM 80 W 3000 K SYM 100 BK ¹⁾	Black	Black	-30...+50 °C	100000	70000 h	55000 h	35000 h
FL PFM 80 W 4000 K SYM 100 BK ¹⁾	Black	Black	-30...+50 °C	100000	70000 h	55000 h	35000 h
FL PFM 80 W 6500 K SYM 100 BK ¹⁾	Black	Black	-30...+50 °C	100000	70000 h	55000 h	35000 h

Product description	Capabilities			Certificates & standards			Logistical data
	Adjustable	Dimmable	Type of connection	Protection class	Type of protection	Luminaire with limited surface temperature, class "D"	Temperature range at storage
FL PFM 80 W 3000 K SYM 100 BK ¹⁾	Yes	No	Cable, 3-pole	I	IP65	No	-40...+70 °C
FL PFM 80 W 4000 K SYM 100 BK ¹⁾	Yes	No	Cable, 3-pole	I	IP65	No	-40...+70 °C
FL PFM 80 W 6500 K SYM 100 BK ¹⁾	Yes	No	Cable, 3-pole	I	IP65	No	-40...+70 °C

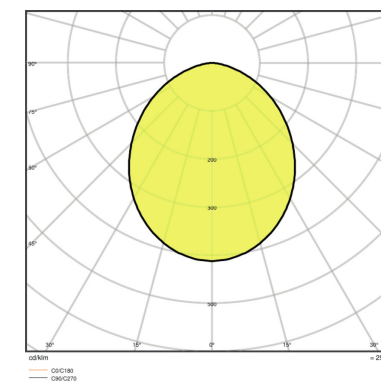
¹⁾ Available from September 2020



FL PFM 80 W 3000 K SYM 100 BK



FL PFM 80 W 4000 K SYM 100 BK



FL PFM 80 W 6500 K SYM 100 BK

FL PFM 80 W 3000 K SYM 100 BK, FL PFM 80 W 4000 K SYM 100 BK, FL PFM 80 W 6500 K SYM 100 BK

SAFETY ADVICE

Max. wind load surface 0.061 m²

APPLICATION ADVICE

For more detailed application information and graphics please see product datasheet.

LOGISTICAL DATA

Product code	Packaging unit (Pieces/Unit)	Dimensions (length x width x height)	Gross weight	Volume
4058075422513	Shipping carton box 2	302 mm x 170 mm x 414 mm	6326.00 g	21.25 dm ³
4058075422537	Shipping carton box 2	302 mm x 170 mm x 414 mm	6326.00 g	21.25 dm ³

Product code	Packaging unit (Pieces/Unit)	Dimensions (length x width x height)	Gross weight	Volume
4058075422551	Shipping carton box 2	302 mm x 170 mm x 414 mm	6326.00 g	21.25 dm ³

The mentioned product code describes the smallest quantity unit which can be ordered. One shipping unit can contain one or more single products. When placing an order, for the quantity please enter single or multiples of a shipping unit.

REFERENCES / LINKS

For Guarantee see

▶ www.ledvance.com/guarantee

DISCLAIMER

Subject to change without notice. Errors and omission excepted. Always make sure to use the most recent release.