

# PRODUCT FAMILY DATASHEET

## Linear LED MOBILE IR USB

Drawer and cabinet luminaires with IR sensor, recharging via USB

---

### AREAS OF APPLICATION

- Kitchens
- Where light is required but a socket is not available



---

### PRODUCT BENEFITS

- Can easily be moved to where light or sound is needed thanks to battery operation
- Easily removeable thanks to the magnetic fixing

---

### PRODUCT FEATURES

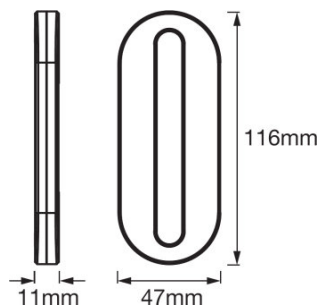
- Integrated rechargeable lithium battery which can be charged via USB cable
- 2 operating modes selectable
- Operating mode 1: Switch-on by movement in front of sensor
- Operating mode 2: Switch-on by opening of drawer or cabinet door



Product description	Electrical data			Photometrical data		Light technical data	Luminaire sensor data	Dimensions & weight			
	Nominal wattage	Nominal voltage	Mains frequency	Color temperature	Luminous flux	Beam angle	Type of sensor	Length	Width	Height	Product weight
Linear LED Mobile IR USB White	0.50 W	4.2 V	0 Hz	4000 K	20 lm	105.00 °	Motion	116.0 mm	11.0 mm	47.0 mm	37.00 g

Product description	Colors & materials			Temperatures & operating conditions	Lifespan		Capabilities	
	Body material	Housing color	Product color	Ambient temperature range	Number of switching cycles	Lifespan	Dimmable	LED module replaceable
Linear LED Mobile IR USB White	Acrylonitrile butadiene styrene (ABS)	White	White	-10...+40 °C	12500	25000 h	No	Not replaceable

Product description	Type of connection	Certificates & standards		
		Protection class	Type of protection	Standards
Linear LED Mobile IR USB White	USB	III	IP20	CE/EAC/REACH/RoHS



---

Product line drawing

---

#### EQUIPMENT / ACCESSORIES

- Complete mounting and connecting accessories included

---

#### APPLICATION ADVICE

For more detailed application information and graphics please see product datasheet.

---

#### DISCLAIMER

- Subject to change without notice. Errors and omission excepted. Always make sure to use the most recent release.