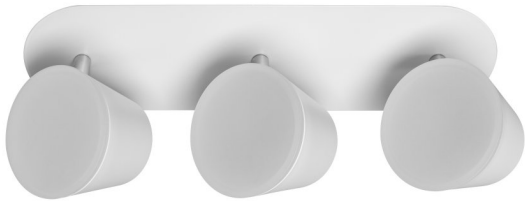


PRODUCT FAMILY DATASHEET

LED SPOT IP44

Luminaires with two selectable color temperatures via wall switch



AREAS OF APPLICATION

- Wall and ceiling surface mounting
- Bathrooms (IP44)
- Indoor applications

PRODUCT BENEFITS

- Light direction individually adjustable
- Easy and quick installation

PRODUCT FEATURES

- Adjustable heads
- Color temperature selectable via wall switch (3000 K, 4000 K)
- Type of protection: IP44

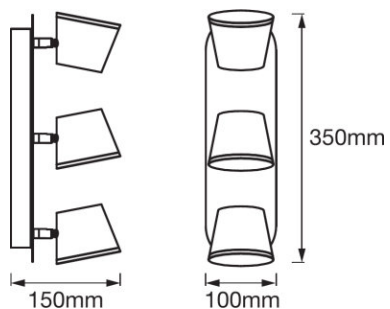


TECHNICAL DATA

Product description	Electrical data			Photometrical data		Light technical data	Dimensions & weight			Colors & materials	
	Nominal wattage	Nominal voltage	Mains frequency	Color temperature	Luminous flux	Beam angle	Length	Width	Height	Product weight	Body material
LED SPOT IP44 CLICK CCT 3X7W 3000/4000 K	20.00 W	220...240 V	50/60 Hz	3000/4000 K	1000 lm	120 °	350.0 mm	100.0 mm	150.0 mm	1180.00 g	Aluminum

Product description	Housing color	Product color	Cover material	Temperatures & operating conditions	Lifespan		Capabilities	
				Ambient temperature range	Number of switching cycles	Lifespan	Dimmable	Adjustable
LED SPOT IP44 CLICK CCT 3X7W 3000/4000 K	White	White	Polycarbonate (PC)	-20...+40 °C	15000	30000 h	No	Yes

Product description	Type of connection	Holder designation	Certificates & standards	
			Protection class	Type of protection
LED SPOT IP44 CLICK CCT 3X7W 3000/4000 K	Terminal, 2-Pole (L, N)	GU10	II	IP44



LED SPOT IP44 CLICK CCT 3X7W
3000/4000 K

EQUIPMENT / ACCESSORIES

- Complete mounting and connecting accessories included

APPLICATION ADVICE

For more detailed application information and graphics please see product datasheet.

LOGISTICAL DATA

Product code	Packaging unit (Pieces/Unit)	Dimensions (length x width x height)	Gross weight	Volume
4058075399600	Shipping carton box 4	394 mm x 284 mm x 408 mm	2580.00 g	45.65 dm ³

The mentioned product code describes the smallest quantity unit which can be ordered. One shipping unit can contain one or more single products. When placing an order, for the quantity please enter single or multiples of a shipping unit.

DISCLAIMER

Subject to change without notice. Errors and omission excepted. Always make sure to use the most recent release.