

PRODUCT FAMILY DATASHEET

BIOLUX HCL DOWNLIGHT

Downlight luminaires, Tunable White, Zigbee



AREAS OF APPLICATION

- Single room solution for up to 20 BIOLUX HCL luminaires combined with BIOLUX HCL control unit
- Meeting and conference rooms
- Offices with little or no daylight

PRODUCT BENEFITS

- BIOLUX HCL luminaire combined with BIOLUX HCL control unit provides lighting solutions for individual requirements
- Biologically optimized lighting by adapting artificial light to natural daylight course
- 5 years BIOLUX HCL system guarantee when operated as part of a BIOLUX HCL system (BIOLUX HCL CONTROL UNIT in combination with BIOLUX HCL luminaire(s))
- Can support working with more concentration
- Good glare reduction ($UGR \leq 19$)

PRODUCT FEATURES

- Ready for connection to BIOLUX HCL control unit
- Adjustable color temperature via Tunable White: 2,700...6,500 K
- Wireless communication between control unit and luminaires via ZigBee protocol
- Color rendering index $R_a: > 90$



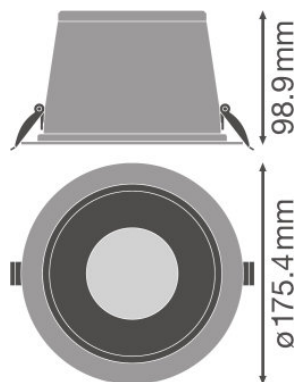
TECHNICAL DATA

Product description	Electrical data	Luminaire control gear data	Photometrical data	Light technical data	Dimensions & weight			Colors & materials		Temperatures & operating conditions
	Nominal wattage	Low flicker	Luminous flux	Beam angle	Diameter	Height	Product weight	Product color	Housing color	Ambient temperature range
BIOLUX HCL DL DN150 ZB 20W 2700-6500K ¹⁾	20.00 W	Yes	1800 lm	60 °	175.4 mm	98.9 mm	550.00 g	White	White	-20...+40 °C

Product description	Lifespan				Additional product data	
	Number of switching cycles	Lifespan L70/B50 at 25 °C	Lifespan L80/B10 at 25 °C	Lifespan L90/B10 at 25 °C	Mounting type	Mounting location
BIOLUX HCL DL DN150 ZB 20W 2700-6500K ¹⁾	50000	50000 h	40000 h	25000 h	Recessed	Ceiling

Product description	Capabilities
	Dimmable
BIOLUX HCL DL DN150 ZB 20W 2700-6500K ¹⁾	Yes

¹⁾ Available from March 2020



BIOLUX HCL DL DN150 ZB 20W 2700-6500K

EQUIPMENT / ACCESSORIES

- LEDVANCE BIOLUX HCL app required for commissioning only (available for Android and iOS)

SAFETY ADVICE

Important operating notice and legal disclaimer: This product is exclusively intended for operation as part of a BIOLUX HCL system (BIOLUX HCL CONTROL UNIT in combination with BIOLUX HCL luminaire(s) including built-in or supplied firmware/software). LEDVANCE GmbH assumes no responsibility, liability, warranty or guarantee for the operation of the product in combination or conjunction with third-party products or other products that are not BIOLUX HCL system products.

APPLICATION ADVICE

For more detailed application information and graphics please see product datasheet.

LOGISTICAL DATA

Product code	Packaging unit (Pieces/Unit)	Dimensions (length x width x height)	Gross weight	Volume
4058075400740	Shipping carton box 4	397 mm x 207 mm x 308 mm	3175.00 g	25.31 dm ³

The mentioned product code describes the smallest quantity unit which can be ordered. One shipping unit can contain one or more single products. When placing an order, for the quantity please enter single or multiples of a shipping unit.

REFERENCES / LINKS

For Guarantee see

▶ www.ledvance.com/guarantee

LEGAL ADVICE

The use of the LEDVANCE BIOLUX App is exclusively subject to the LEDVANCE BIOLUX App Terms of Use, which are displayed during installation of the app and are available in the app

DISCLAIMER

Subject to change without notice. Errors and omission excepted. Always make sure to use the most recent release.