

PRODUCT FAMILY DATASHEET

TIBEA E27 Tunable White

Indoor luminaire including LED lamp for indirect lighting with ZigBee technology



AREAS OF APPLICATION

- General illumination
- Residential interiors
- Professional (hotels, bars, boutiques etc.)

PRODUCT BENEFITS

- Stylish and modern design
- Indirect lighting for a relaxing atmosphere
- Wireless control via app or voice control
- Easy to install and use
- Contains no mercury

PRODUCT FEATURES

- Controllable via compatible smart home system (gateway and app) or SMART+ Switch
- Adjustable color temperature via Tunable White: 2,700...6,500 K
- Dimmable
- As ceiling, pendant and mini type-version available
- Network protocol: ZigBee
- Lifetime: up to 20,000 h
- For full functionality, connection to a compatible smart home System (gateway and app) required

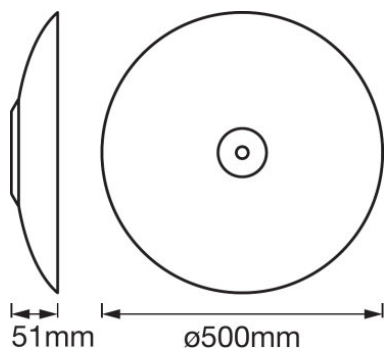


TECHNICAL DATA

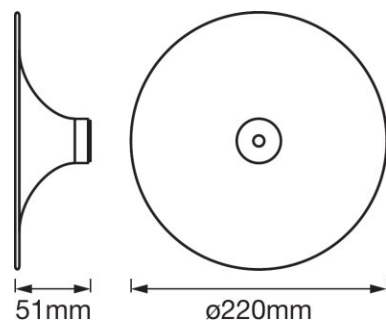
Product description	Electrical data	Photometrical data					Dimensions & weight		Colors & materials	
	Nominal wattage	Luminous efficacy of lamp in luminaire	Color temperature	Luminous flux	Light color (designation)	Color rendering index Ra	Height	Diameter	Body material	Housing color
SMART+ ZB TIBEA Ceiling Tunable White	22.00 W	61 lm/W	2700...6500 K	1350 lm	Tunable White	>80	51.0 mm	500.0 mm	Aluminum	White
SMART+ ZB TIBEA MINI Tunable White	22.00 W	73 lm/W	2700...6500 K	1600 lm	Tunable White	>80	51.0 mm	220.0 mm	Aluminum	White
SMART+ ZB TIBEA Pendant Tunable White	22.00 W	57 lm/W	2700...6500 K	1250 lm	Tunable White	>80	69.0 mm	350.0 mm	Aluminum	White

Product description	Product color	Temperatures & operating conditions	Lifespan	Capabilities	Certificates & standards	
		Ambient temperature range	Lifespan	Compatible smart home technology	Type of protection	Standards
SMART+ ZB TIBEA Ceiling Tunable White	White	-20...+40 °C	20000 h	ZigBee	IP20	CE
SMART+ ZB TIBEA MINI Tunable White	White	-20...+40 °C	20000 h	ZigBee	IP20	CE
SMART+ ZB TIBEA Pendant Tunable White	White	-20...+40 °C	20000 h	ZigBee	IP20	CE

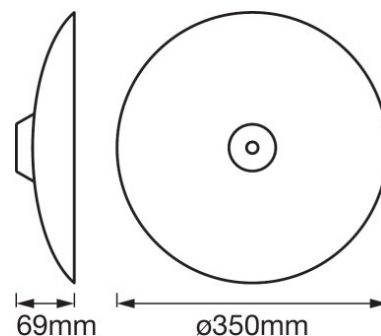
Product description	Protection class	Energy clas. of compatible lamps
SMART+ ZB TIBEA Ceiling Tunable White	II	A++/A+/A/B/C/D/E
SMART+ ZB TIBEA MINI Tunable White	II	A++/A+/A/B/C/D/E
SMART+ ZB TIBEA Pendant Tunable White	II	A++/A+/A/B/C/D/E



SMART+ ZB TIBEA Ceiling Tunable White



SMART+ ZB TIBEA MINI Tunable White



SMART+ ZB TIBEA Pendant Tunable White

EQUIPMENT / ACCESSORIES

- Control via app or voice control requires compatible Smart home system

APPLICATION ADVICE

For more detailed application information and graphics please see product datasheet.

LOGISTICAL DATA

Product code	Packaging unit (Pieces/Unit)	Dimensions (length x width x height)	Gross weight	Volume
4058075345355	Shipping carton box 2	750 mm x 610 mm x 172 mm	5357.00 g	78.69 dm ³
4058075345393	Shipping carton box 4	470 mm x 330 mm x 338 mm	3705.00 g	52.42 dm ³

Product code	Packaging unit (Pieces/Unit)	Dimensions (length x width x height)	Gross weight	Volume
4058075345379	Shipping carton box 2	570 mm x 460 mm x 230 mm	3451.00 g	60.31 dm ³

The mentioned product code describes the smallest quantity unit which can be ordered. One shipping unit can contain one or more single products. When placing an order, for the quantity please enter single or multiples of a shipping unit.

DISCLAIMER

Subject to change without notice. Errors and omission excepted. Always make sure to use the most recent release.