

# PRODUCT FAMILY DATASHEET

## FLOODLIGHT PERFORMANCE SYM R30

Floodlight with rotational symmetric light distribution for high mast area lighting



### AREAS OF APPLICATION

- Direct replacement for luminaires using HID lamps
- Outdoor use (IP66)
- Public areas
- Industry
- Sports facilities
- Lighting of large areas
- D-sign according to EN 60598-2-24 for fire-risk commercial unit, f. e. by accumulation of dust

### PRODUCT BENEFITS

- Energy savings of up to 90 % compared to halogen lamp floodlights
- Energy savings of up to 45 % compared to luminaires that use conventional discharge lamps
- Bright, robust and durable
- Homogeneous luminance distribution and reduced glare
- No upper light output ratio (ULOR 0%) when mounted at 0° tilt
- Key hole to ensure ease of installation
- 5 years guarantee

### PRODUCT FEATURES

- High luminous efficacy: up to 140 lm/W
- Rotational symmetric light distribution for high mast area lighting
- Angled (45°) mounting bracket and up to 180° tilting
- Type of protection: IP66
- Impact resistance: IK08



- Ambient temperature in operation: -30...+50 °C
- High surge protection: up to 10 kV (L/N-PE), 6 kV (L-N)
- Integrated breather for preventing condensation inside the luminaire
- Connection via 2 m cable, wiring required

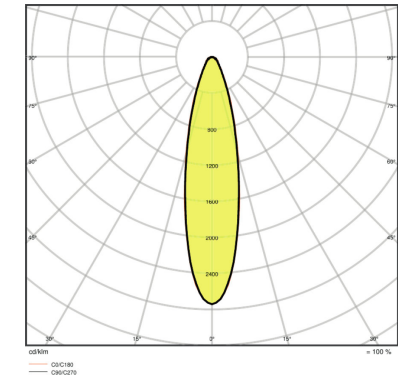
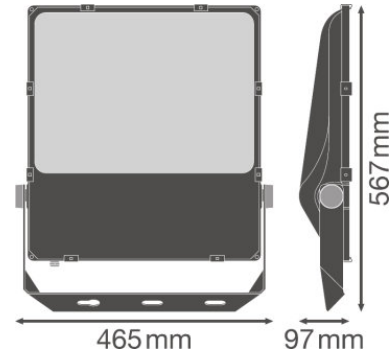
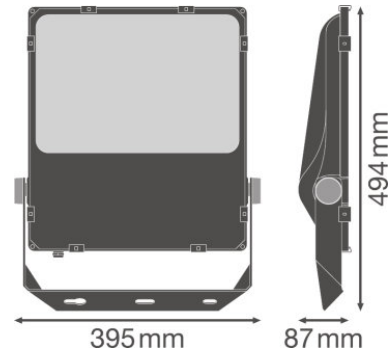
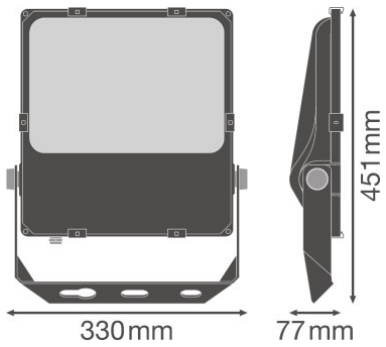
**TECHNICAL DATA**

Product description	Electrical data			Luminaire control gear data	Photometrical data			Light technical data	Dimensions & weight		
	Nominal wattage	Nominal voltage	Mains frequency	Low flicker	Luminous flux	Light color (designation)	Color rendering index Ra	Beam angle	Length	Width	Height
FL PFM SYM R30 150 W 3000 K BK	150.00 W	220...240 V	50/60 Hz	Yes	18700 lm	Warm White	>80	30 °	451.0 mm	330.0 mm	77.0 mm
FL PFM SYM R30 150 W 4000 K BK	150.00 W	220...240 V	50/60 Hz	Yes	20200 lm	Cool White	>80	30 °	451.0 mm	330.0 mm	77.0 mm
FL PFM SYM R30 200 W 3000 K BK	200.00 W	220...240 V	50/60 Hz	Yes	24800 lm	Warm White	>80	30 °	494.0 mm	395.0 mm	87.0 mm
FL PFM SYM R30 200 W 4000 K BK	200.00 W	220...240 V	50/60 Hz	Yes	26800 lm	Cool White	>80	30 °	494.0 mm	395.0 mm	87.0 mm
FL PFM SYM R30 290 W 3000 K BK	290.00 W	220...240 V	50/60 Hz	Yes	36200 lm	Warm White	>80	30 °	567.0 mm	465.0 mm	97.0 mm
FL PFM SYM R30 290 W 4000 K BK	290.00 W	220...240 V	50/60 Hz	Yes	39100 lm	Cool White	>80	30 °	567.0 mm	465.0 mm	97.0 mm

Product description	Product weight	Colors & materials				Temperatures & operating conditions	Lifespan	
		Body material	Housing color	Product color	Cover material	Ambient temperature range	Number of switching cycles	Lifespan L70/B50 at 25 °C
FL PFM SYM R30 150 W 3000 K BK	4500.00 g	Aluminum	Black	Black	Glass	-30...+50 °C	100000	100000 h
FL PFM SYM R30 150 W 4000 K BK	4500.00 g	Aluminum	Black	Black	Glass	-30...+50 °C	100000	100000 h
FL PFM SYM R30 200 W 3000 K BK	6300.00 g	Aluminum	Black	Black	Glass	-30...+50 °C	100000	100000 h
FL PFM SYM R30 200 W 4000 K BK	6300.00 g	Aluminum	Black	Black	Glass	-30...+50 °C	100000	100000 h
FL PFM SYM R30 290 W 3000 K BK	9500.00 g	Aluminum	Black	Black	Glass	-30...+50 °C	100000	100000 h
FL PFM SYM R30 290 W 4000 K BK	9500.00 g	Aluminum	Black	Black	Glass	-30...+50 °C	100000	100000 h

Product description	Lifespan L80/B10 at 25 °C	Lifespan L90/B10 at 25 °C	Capabilities			Certificates & standards		
			Adjustable	Dimmable	Type of connection	Protection class	Type of protection	Luminaire with limited surface temperature, class "D"
FL PFM SYM R30 150 W 3000 K BK	70000 h	30000 h	Yes	No	Cable, 3-pole	I	IP66	Yes
FL PFM SYM R30 150 W 4000 K BK	70000 h	30000 h	Yes	No	Cable, 3-pole	I	IP66	Yes
FL PFM SYM R30 200 W 3000 K BK	70000 h	30000 h	Yes	No	Cable, 3-pole	I	IP66	Yes
FL PFM SYM R30 200 W 4000 K BK	70000 h	30000 h	Yes	No	Cable, 3-pole	I	IP66	Yes
FL PFM SYM R30 290 W 3000 K BK	70000 h	30000 h	Yes	No	Cable, 3-pole	I	IP66	Yes
FL PFM SYM R30 290 W 4000 K BK	70000 h	30000 h	Yes	No	Cable, 3-pole	I	IP66	Yes

Product description	Logistical data
	Temperature range at storage
FL PFM SYM R30 150 W 3000 K BK	-40...+70 °C
FL PFM SYM R30 150 W 4000 K BK	-40...+70 °C
FL PFM SYM R30 200 W 3000 K BK	-40...+70 °C
FL PFM SYM R30 200 W 4000 K BK	-40...+70 °C
FL PFM SYM R30 290 W 3000 K BK	-40...+70 °C
FL PFM SYM R30 290 W 4000 K BK	-40...+70 °C

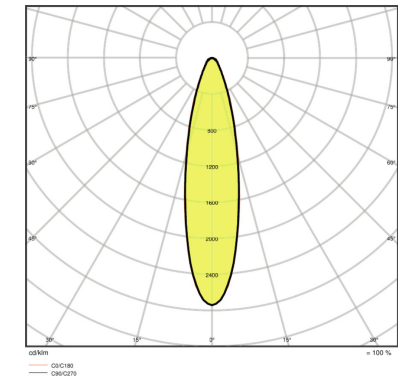
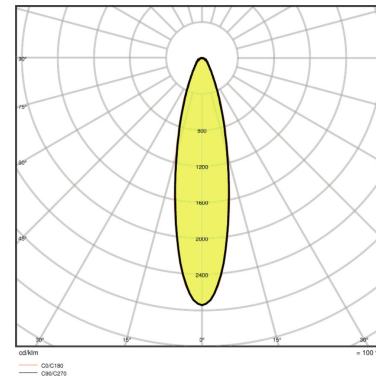
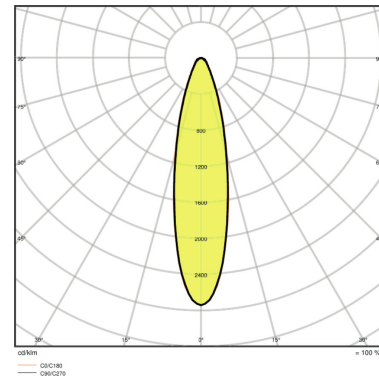
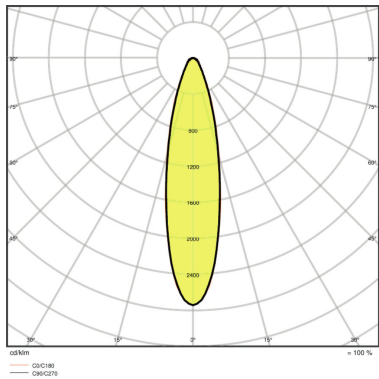


FL PFM SYM R30 150 W 3000 K BK, FL PFM SYM R30 150 W 4000 K BK

FL PFM SYM R30 200 W 3000 K BK, FL PFM SYM R30 200 W 4000 K BK

FL PFM SYM R30 290 W 3000 K BK, FL PFM SYM R30 290 W 4000 K BK

FL PFM SYM R30 150 W 3000 K BK

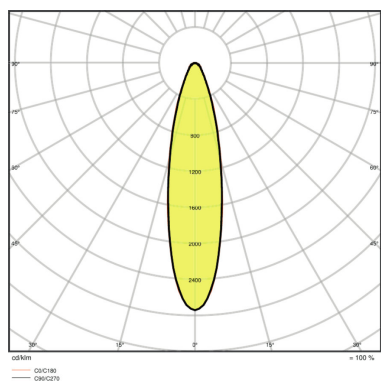


FL PFM SYM R30 150 W 4000 K BK

FL PFM SYM R30 200 W 3000 K BK

FL PFM SYM R30 200 W 4000 K BK

FL PFM SYM R30 290 W 3000 K BK



FL PFM SYM R30 290 W 4000 K BK

### APPLICATION ADVICE

For more detailed application information and graphics please see product datasheet.

### LOGISTICAL DATA

Product code	Packaging unit (Pieces/Unit)	Dimensions (length x width x height)	Gross weight	Volume
4058075353756	Shipping carton box 1	516 mm x 130 mm x 368 mm	4970.00 g	24.69 dm <sup>3</sup>
4058075353763	Shipping carton box 1	516 mm x 130 mm x 368 mm	4970.00 g	24.69 dm <sup>3</sup>
4058075353770	Shipping carton box 1	568 mm x 140 mm x 430 mm	6878.00 g	34.19 dm <sup>3</sup>
4058075353787	Shipping carton box 1	568 mm x 140 mm x 430 mm	6878.00 g	34.19 dm <sup>3</sup>
4058075353794	Shipping carton box 1	652 mm x 160 mm x 510 mm	10258.00 g	53.20 dm <sup>3</sup>

Product code	Packaging unit (Pieces/Unit)	Dimensions (length x width x height)	Gross weight	Volume
4058075353800	Shipping carton box 1	652 mm x 160 mm x 510 mm	10258.00 g	53.20 dm <sup>3</sup>

The mentioned product code describes the smallest quantity unit which can be ordered. One shipping unit can contain one or more single products. When placing an order, for the quantity please enter single or multiples of a shipping unit.

---

#### REFERENCES / LINKS

For Guarantee see

▶ [www.ledvance.com/guarantee](http://www.ledvance.com/guarantee)

---

#### DISCLAIMER

Subject to change without notice. Errors and omission excepted. Always make sure to use the most recent release.