

PRODUCT DATASHEET

ENDURA PRO UPDOWN SENSOR 10W 840 IP55 WT

ENDURA PRO UPDOWN SENSOR | Modern shaped wall sensor luminaires with light outlet up and down



AREAS OF APPLICATION

- Outdoor
- Building facades
- Arcade passage

PRODUCT BENEFITS

- Decorative wall light
- Easy and quick installation

PRODUCT FEATURES

- 4 operating modes selectable (light 6h continuous on, standby, switch-on by movement or dusk)
- Type of protection: IP55
- Impact resistance: IK05
- Protection class: II



TECHNICAL DATA

Electrical data

Nominal wattage	10.00 W
Operating mode	Mains voltage
Nominal voltage	220...240 V
Mains frequency	50/60 Hz

Luminaire control gear data

Output current	223...247 mA
----------------	--------------

Photometrical data

Color temperature	4000 K
Color rendering index Ra	≥80
Light color (designation)	Cool White
Luminous flux	1000 lm
Luminous efficacy	100 lm/W

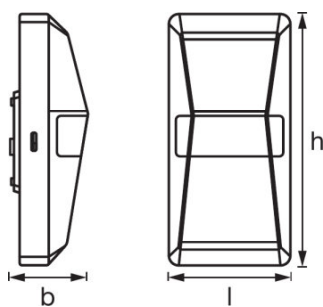
Light technical data

Beam angle	50 °
------------	------

Luminaire sensor data

Type of sensor	Light / Motion
Sensor technology	Passive infrared (PIR)
Sensor detection angle	180 °
Detection range of motion sensor	12 m
Detection threshold of daylight sensor	1...1000 lx
Sensor controlled switching time	5 s...15 min

Dimensions & weight



Length	87.0 mm
Width	55.0 mm
Height	180.0 mm
Product weight	312.00 g

Colors & materials

Body material	Polycarbonate (PC)
Product color	White
Housing color	White
Cover material	Polycarbonate (PC)

Temperatures & operating conditions

Ambient temperature range	-20...+40 °C
----------------------------------	--------------

Lifespan

Number of switching cycles	15000
-----------------------------------	-------

Additional product data

Mounting type	Surface
Mounting location	Wall

Capabilities

Dimmable	No
Type of connection	Terminal, 3-Pole (L, N, PE)
LED module replaceable	Not replaceable

Certificates & standards

Protection class	II
Type of protection	IP55
Standards	CE/EAC/REACH/RoHS

LOGISTICAL DATA

Product code	Packaging unit (Pieces/Unit)	Dimensions (length x width x height)	Gross weight	Volume
4058075228948	Folding carton box 1	75 mm x 95 mm x 189 mm	351.00 g	1.35 dm ³
4058075228955	Shipping carton box 6	225 mm x 200 mm x 206 mm	2314.00 g	9.27 dm ³

The mentioned product code describes the smallest quantity unit which can be ordered. One shipping unit can contain one or more single products. When placing an order, for the quantity please enter single or multiples of a shipping unit.

DISCLAIMER

Subject to change without notice. Errors and omission excepted. Always make sure to use the most recent release.