

# PRODUCT FAMILY DATASHEET

## ENDURA PRO FLOOD SENSOR

High efficiency wall sensor luminaires with wide beam angle in innovative optical design



---

### AREAS OF APPLICATION

- Outdoor
- Parking lots, city squares, parks
- Arcade passage

---

### PRODUCT BENEFITS

- Homogenous illumination
- Lighting according to requirements due to adjustable luminaire head
- Easy and quick installation

---

### PRODUCT FEATURES

- 4 operating modes selectable (light 6h continuous on, standby, switch-on by movement or dusk)
- Adjustable luminaire head
- Type of protection: IP55
- Impact resistance: IK05
- Protection class: II



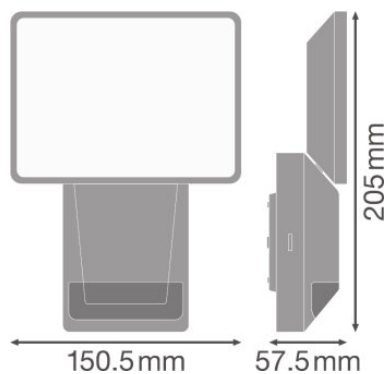
TECHNICAL DATA

Product description	Electrical data			Luminaire control gear data	Photometrical data		Light technical data	Luminaire sensor data	Dimensions & weight	
	Nominal wattage	Nominal voltage	Mains frequency	Output current	Color temperature	Luminous flux	Beam angle	Type of sensor	Length	Width
ENDURA PRO FLOOD SENSOR 15W 840 IP55 WT	15.00 W	220...240 V	50/60 Hz	205...260 mA	4000 K	1500 lm	100.00 °	Light / Motion	151.0 mm	56.0 mm
ENDURA PRO FLOOD SENSOR 15W 840 IP55 DG	15.00 W	220...240 V	50/60 Hz	205...260 mA	4000 K	1500 lm	100.00 °	Light / Motion	151.0 mm	56.0 mm
ENDURA PRO FLOOD SENSOR 27W 840 IP55 WT	27.00 W	220...240 V	50/60 Hz	400...480 mA	4000 K	1500 lm	100.00 °	Light / Motion	201.0 mm	56.0 mm
ENDURA PRO FLOOD SENSOR 27W 840 IP55 DG	27.00 W	220...240 V	50/60 Hz	400...480 mA	4000 K	1500 lm	100.00 °	Light / Motion	201.0 mm	56.0 mm

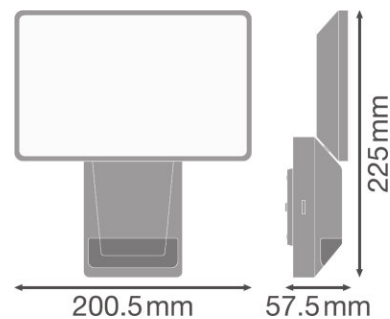
Product description	Height	Product weight	Colors & materials				Temperatures & operating conditions	Lifespan	Capabilities
			Body material	Housing color	Product color	Cover material	Ambient temperature range	Number of switching cycles	Dimmable
ENDURA PRO FLOOD SENSOR 15W 840 IP55 WT	205.0 mm	365.00 g	Polycarbonate (PC)	White	White	Polycarbonate (PC)	-20...+40 °C	100000	No
ENDURA PRO FLOOD SENSOR 15W 840 IP55 DG	205.0 mm	365.00 g	Polycarbonate (PC)	Dark gray	Dark grey	Polycarbonate (PC)	-20...+40 °C	100000	No
ENDURA PRO FLOOD SENSOR 27W 840 IP55 WT	225.0 mm	480.00 g	Polycarbonate (PC)	White	White	Polycarbonate (PC)	-20...+40 °C	100000	No
ENDURA PRO FLOOD SENSOR 27W 840 IP55 DG	225.0 mm	480.00 g	Polycarbonate (PC)	Dark gray	Dark grey	Polycarbonate (PC)	-20...+40 °C	100000	No

Product description	Type of connection	Certificates & standards	
		Protection class	Type of protection
ENDURA PRO FLOOD SENSOR 15W 840 IP55 WT	Terminal, 3-Pole (L, N, PE)	II	IP55
ENDURA PRO FLOOD SENSOR 15W 840 IP55 DG	Terminal, 3-Pole (L, N, PE)	II	IP55

Product description	Type of connection	Certificates & standards	
		Protection class	Type of protection
ENDURA PRO FLOOD SENSOR 27W 840 IP55 WT	Terminal, 3-Pole (L, N, PE)	II	IP55
ENDURA PRO FLOOD SENSOR 27W 840 IP55 DG	Terminal, 3-Pole (L, N, PE)	II	IP55



ENDURA PRO FLOOD SENSOR 15W 840 IP55 WT, ENDURA PRO FLOOD SENSOR 15W 840 IP55 DG



ENDURA PRO FLOOD SENSOR 27W 840 IP55 WT, ENDURA PRO FLOOD SENSOR 27W 840 IP55 DG

### APPLICATION ADVICE

For more detailed application information and graphics please see product datasheet.

### LOGISTICAL DATA

Product code	Packaging unit (Pieces/Unit)	Dimensions (length x width x height)	Gross weight	Volume
4058075228795	Shipping carton box 6	326 mm x 213 mm x 231 mm	3315.00 g	16.04 dm <sup>3</sup>

Product code	Packaging unit (Pieces/Unit)	Dimensions (length x width x height)	Gross weight	Volume
4058075228818	Shipping carton box 6	326 mm x 213 mm x 231 mm	3273.00 g	16.04 dm <sup>3</sup>
4058075228832	Shipping carton box 4	280 mm x 219 mm x 251 mm	2823.00 g	15.39 dm <sup>3</sup>
4058075228856	Shipping carton box 4	280 mm x 219 mm x 251 mm	2822.00 g	15.39 dm <sup>3</sup>

The mentioned product code describes the smallest quantity unit which can be ordered. One shipping unit can contain one or more single products. When placing an order, for the quantity please enter single or multiples of a shipping unit.

---

#### DISCLAIMER

Subject to change without notice. Errors and omission excepted. Always make sure to use the most recent release.