

# PRODUCT FAMILY DATASHEET

## HQI LED HIGHBAY

LED replacement for HID lamps for high-bay luminaires



---

### AREAS OF APPLICATION

- Industrial and storage facilities
- Outdoor applications only in suitable luminaires

---

### PRODUCT BENEFITS

- Direct replacement for traditional HQI and NAV lamps thanks to CCG and ignitor compatibility
- Energy savings of up to 68 % when replacing traditional HQI lamps
- Operating temperature: -20...50 °C
- Effective thermal management for wide operating temperature range
- Low maintenance costs thanks to long lifetime
- Instant 100 % light, no warm-up time

---

### PRODUCT FEATURES

- LED alternative for applications requiring a high luminous flux
- Type of protection: IP40
- High surge protection: up to 4 kV (L-N)
- Operating temperature: -20...50 °C

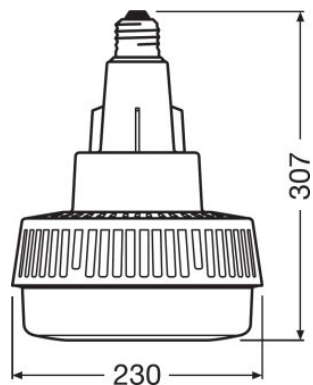


TECHNICAL DATA

| Product description                  | Electrical data |                 |   |   | Photometrical data    |                     |   |                           |                   |
|--------------------------------------|-----------------|-----------------|---|---|-----------------------|---------------------|---|---------------------------|-------------------|
|                                      | Nominal wattage | Nominal voltage | Max. lamp no. on circuit break. B16 A - CCG with compensation | Max. lamp no. on circuit break. B10 A - CCG with compensation | Nominal luminous flux | Rated luminous flux | Lumen main.fact.at end of nom.life time | Light color (designation) | Color temperature |
| HQI HIGHBAY 250 120° 95 W/4000K E40  | 95.00 W         | 110 V           | 10  | 6   | 13000 lm              | 13000 lm            | 0.70                                    | Cool White                | 4000 K            |
| HQI HIGHBAY 400 120° 140 W/4000K E40 | 140.00 W        | 110 V           | 6   | 4   | 20000 lm              | 20000 lm            | 0.70                                    | Cool White                | 4000 K            |

| Product description                  | Light technical data |                          | Dimensions & weight |            | Temperatures & operating conditions |          | Lifespan                  |                        |                            |
|--------------------------------------|----------------------|--------------------------|---------------------|------------|-------------------------------------|----------|---------------------------|------------------------|----------------------------|
|                                      | Luminous flux        | Color rendering index Ra | Warm-up time (60 %) | Beam angle | Overall length                      | Diameter | Ambient temperature range | Nominal lamp life time | Number of switching cycles |
| HQI HIGHBAY 250 120° 95 W/4000K E40  | 13000 lm             | ≥80                      | < 0.50 s            | 120 °      | 307.0 mm                            | 230.0 mm | -20...+50 °C              | 50000 h                | 100000                     |
| HQI HIGHBAY 400 120° 140 W/4000K E40 | 20000 lm             | ≥80                      | < 0.50 s            | 120 °      | 307.0 mm                            | 230.0 mm | -20...+50 °C              | 50000 h                | 100000                     |

| Product description                  | Additional product data     |                 |              | Capabilities |
|--------------------------------------|-----------------------------|-----------------|--------------|--------------|
|                                      | Base (standard designation) | Mercury content | Mercury-free | Dimmable     |
| HQI HIGHBAY 250 120° 95 W/4000K E40  | E40                         | 0.0 mg          | Yes          | No           |
| HQI HIGHBAY 400 120° 140 W/4000K E40 | E40                         | 0.0 mg          | Yes          | No           |



HQI HIGHBAY 250 120° 95 W/4000K  
E40, HQI HIGHBAY 400 120° 140  
W/4000K E40

---

#### EQUIPMENT / ACCESSORIES

- Safety sling for lamp included

---

#### SAFETY ADVICE

Not suitable for operation with line voltage.

The bulb may be larger and heavier than the replaced bulb. Before installation it must be checked, if the luminaire and especially the holder is capable of carrying the weight of the lamp.

Safety sling has to be installed.

To ensure full light efficiency and product lifetime, it is recommended to detach any glass or cover of the luminaire.

---

#### APPLICATION ADVICE

For more detailed application information and graphics please see product datasheet.

---

**LOGISTICAL DATA**

| Product code  | Packaging unit (Pieces/Unit) | Dimensions (length x width x height) | Gross weight | Volume                |
|---------------|------------------------------|--------------------------------------|--------------|-----------------------|
| 4058075284739 | Shipping carton box<br>4     | 515 mm x 515 mm x 355 mm             | 5961.00 g    | 94.15 dm <sup>3</sup> |
| 4058075284753 | Shipping carton box<br>4     | 515 mm x 515 mm x 355 mm             | 6161.00 g    | 94.15 dm <sup>3</sup> |

---

The mentioned product code describes the smallest quantity unit which can be ordered. One shipping unit can contain one or more single products. When placing an order, for the quantity please enter single or multiples of a shipping unit.

---

**DISCLAIMER**

Subject to change without notice. Errors and omission excepted. Always make sure to use the most recent release.