

PRODUCT FAMILY DATASHEET

SMART+ Outdoor Lantern Multicolor

Outdoor lantern with ZigBee technology



AREAS OF APPLICATION

- Outdoor

PRODUCT BENEFITS

- Easy to install and use
- Colorful garden lighting with smart and intelligent control options
- Uses multi color and cold or warm white light for most flexible lighting scenes
- Combines the functionality of general lighting and mood lighting

PRODUCT FEATURES

- Available as wall and bollard luminaires
- RGB color control, approx. 16 million color options adjustable
- Adjustable color temperature via Tunable White: 2,000...6,500 K
- Dimmable
- Diffuser made of clear polycarbonate
- Type of protection: IP44
- Network protocol: ZigBee
- Lifetime: up to 20,000 h



- Controllable via compatible smart home system (gateway and app) or SMART+ Switch
- For full functionality, connection to a compatible smart home System (gateway and app) required

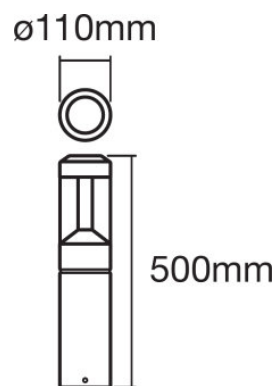
TECHNICAL DATA

Product description	Electrical data	Photometrical data					Dimensions & weight				Colors & materials
	Nominal wattage	Color rendering index Ra	Luminous flux	Light color (designation)	Color temperature	Luminous efficacy of lamp in luminaire	Height	Diameter	Width	Length	Body material
SMART+ OUTDOOR LANTERN Bollard 50cm Multicolor ¹⁾	12.00 W	80	650 lm	RGBW	2000 ... 6500 K	52 lm/W	500.0 mm	110.0 mm			Aluminum
SMART+ OUTDOOR LANTERN Wall ¹⁾	12.00 W	80	650 lm	RGBW	2000 ... 6500 K	52 lm/W	240.0 mm		110.0 mm	176.0 mm	Aluminum

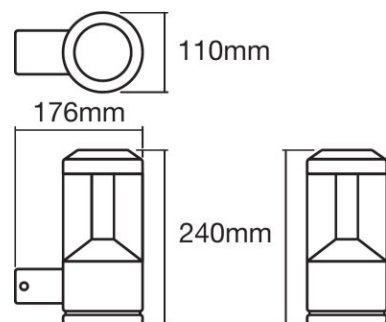
Product description	Housing color	Cover material	Product color	Temperatures & operating conditions	Capabilities	Certificates & standards		
				Ambient temperature range	Compatible smart home technology	EEL of included LED module	Type of protection	Standards
SMART+ OUTDOOR LANTERN Bollard 50cm Multicolor ¹⁾	Dark gray	Polycarbonate (PC)	Dark gray	-20...+40 °C	ZigBee	A	IP44	CE
SMART+ OUTDOOR LANTERN Wall ¹⁾	Dark gray	Polycarbonate (PC)	Dark gray	-20...+40 °C	ZigBee	A	IP44	CE

Product description	Protection class
SMART+ OUTDOOR LANTERN Bollard 50cm Multicolor ¹⁾	I
SMART+ OUTDOOR LANTERN Wall ¹⁾	I

¹⁾ Reset settings to default by switching the product on for five seconds and off for five seconds and repeating this five times.



SMART+ OUTDOOR LANTERN Bollard
50cm Multicolor



SMART+ OUTDOOR LANTERN Wall

EQUIPMENT / ACCESSORIES

- Control via app requires LIGHTIFY system (app and gateway) or other compatible Smart home system

APPLICATION ADVICE

For more detailed application information and graphics please see product datasheet.

LOGISTICAL DATA

Product code	Packaging unit (Pieces/Unit)	Dimensions (length x width x height)	Gross weight	Volume
4058075235519	Shipping carton box 2	400 mm x 202 mm x 546 mm	4594.00 g	44.12 dm ³
4058075235496	Shipping carton box 4	420 mm x 280 mm x 306 mm	5855.00 g	35.99 dm ³

Product code	Packaging unit (Pieces/Unit)	Dimensions (length x width x height)	Gross weight	Volume
--------------	------------------------------	--------------------------------------	--------------	--------

The mentioned product code describes the smallest quantity unit which can be ordered. One shipping unit can contain one or more single products. When placing an order, for the quantity please enter single or multiples of a shipping unit.

DISCLAIMER

Subject to change without notice. Errors and omission excepted. Always make sure to use the most recent release.