

PRODUCT FAMILY DATASHEET

SMART+ Spot GU5.3 Tunable White

MR16 Spot with ZigBee technology



AREAS OF APPLICATION

- General illumination
- Outdoor applications only in suitable luminaires

PRODUCT BENEFITS

- Easy to install and use
- Up to 80 % less energy consumption compared to halogen lamps
- Contains no mercury

PRODUCT FEATURES

- Low voltage LED MR16 reflector lamp with wireless smart lighting function
- Adjustable light color via Tunable White: Warm White to Cool White (2,700 K...6,500 K)
- Dimmable
- Network protocol: ZigBee
- Lifetime: up to 20,000 h
- Controllable via compatible smart home system (gateway and app) or SMART+ Switch
- For full functionality connection to a compatible smart home System (gateway and app) required



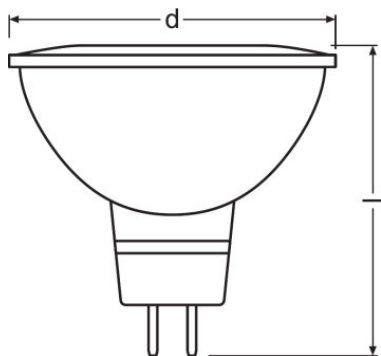
TECHNICAL DATA

Product description	Electrical data	Photometrical data								
	Nominal wattage	Light color (designation)	Rated peak intensity	Lumen main.fact.at end of nom.life time	Nominal luminous flux	Rated luminous flux	Color rendering index Ra	Standard deviation of color matching	Adjustable color temperature	Color temperature
SMART+ ZB SPOT 5 W 12 V 36° GUS.3 ¹⁾	5.00 W	Tunable White	770 cd	0.70	350 lm	350 lm	80	≤6 sdc _m	2700...6500 K	2700 K

Product description	Light technical data			Dimensions & weight		Lifespan		
	Light control	Warm-up time (60 %)	Starting time	Length	Diameter	Number of switching cycles	Lumen maintenance at end of service life	Nominal lamp life time
SMART+ ZB SPOT 5 W 12 V 36° GUS.3 ¹⁾	Adjustable color temperature	< 1.00 s	< 1.0 s	51.0 mm	50.0 mm	100000	0.70	20000 h

Product description	Rated lamp life time	Capabilities	Certificates & standards	
		Compatible smart home technology	Energy consumption	Energy efficiency class
SMART+ ZB SPOT 5 W 12 V 36° GUS.3 ¹⁾	20000 h	ZigBee	5 kWh/1000h	A

¹⁾ All technical parameters apply to the entire lamp/Due to the complex production process for light-emitting diodes, the typical values shown for the technical LED parameters are purely statistical values that do not necessarily match the actual technical parameters of each individual product, which can vary from the typical value/Reset settings to default by switching the product on for five seconds and off for five seconds and repeating this five times.



SMART+ ZB SPOT 5 W 12 V 36° GU5.3

EQUIPMENT / ACCESSORIES

- Control via app requires LIGHTIFY system (app and gateway) or other compatible Smart home system

APPLICATION ADVICE

For more detailed application information and graphics please see product datasheet.

LOGISTICAL DATA

Product code	Packaging unit (Pieces/Unit)	Dimensions (length x width x height)	Gross weight	Volume
4058075214293	Shipping carton box 4	173 mm x 108 mm x 141 mm	550.00 g	2.63 dm ³

The mentioned product code describes the smallest quantity unit which can be ordered. One shipping unit can contain one or more single products. When placing an order, for the quantity please enter single or multiples of a shipping unit.

DISCLAIMER

Subject to change without notice. Errors and omission excepted. Always make sure to use the most recent release.