

# PRODUCT DATASHEET

## SMART+ ZB SPOT 5 W 12 V 36° GU5.3

SMART+ Spot GU5.3 Tunable White | MR16 Spot with ZigBee technology



---

### AREAS OF APPLICATION

- General illumination
- Outdoor applications only in suitable luminaires

---

### PRODUCT BENEFITS

- Easy to install and use
- Up to 80 % less energy consumption compared to halogen lamps
- Contains no mercury

---

### PRODUCT FEATURES

- Low voltage LED MR16 reflector lamp with wireless smart lighting function
- Adjustable light color via Tunable White: Warm White to Cool White (2,700 K...6,500 K)
- Dimmable
- Network protocol: ZigBee
- Lifetime: up to 20,000 h
- Controllable via compatible smart home system (gateway and app) or SMART+ Switch
- For full functionality connection to a compatible smart home System (gateway and app) required



## TECHNICAL DATA

### Electrical data

Operating frequency	50...60 Hz
Rated wattage	5.00 W
Power factor $\lambda$	> 0.50
Nominal wattage	5.00 W
Nominal voltage	12 V
Claimed equiv. conventional lamp power	35 W

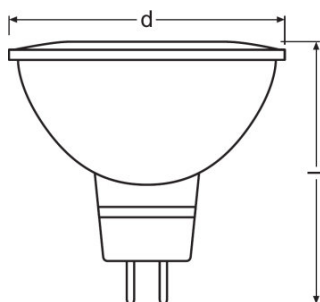
### Photometrical data

Light color (designation)	Tunable White
Lumen main.fact.at end of nom.life time	0.70
Standard deviation of color matching	$\leq 6$ sdc <sub>m</sub>
Adjustable color temperature	2700...6500 K
Rated luminous flux	350 lm
Nominal luminous flux	350 lm
Rated color temperature	2700 K
Color rendering index Ra	80
Rated peak intensity	770 cd

### Light technical data

Starting time	< 1.0 s
Light control	Adjustable color temperature
Warm-up time (60 %)	< 1.00 s

### Dimensions & weight



Product weight	74.00 g
Outer bulb	MR51
Length	51.0 mm

<b>Diameter</b>	50.0 mm
<b>Overall length</b>	51.0 mm
<b>Maximum diameter</b>	50.0 mm

### Lifespan

<b>Number of switching cycles</b>	100000
<b>Rated lamp life time</b>	20000 h
<b>Nominal lamp life time</b>	20000 h
<b>Lumen maintenance at end of service life</b>	0.70

### Additional product data

<b>Mercury-free</b>	Yes
<b>Show WEEE picto</b>	Yes
<b>Product remark</b>	All technical parameters apply to the entire lamp/Due to the complex production process for light-emitting diodes, the typical values shown for the technical LED parameters are purely statistical values that do not necessarily match the actual technical parameters of each individual product, which can vary from the typical value/Reset settings to default by switching the product on for five seconds and off for five seconds and repeating this five times.
<b>Base (standard designation)</b>	GU5.3

### Capabilities

<b>Dimmable</b>	Yes
<b>Compatible smart home technology</b>	ZigBee

### Certificates & standards

<b>Energy efficiency class</b>	A
<b>Energy consumption</b>	5 kWh/1000h

## EQUIPMENT / ACCESSORIES

– Control via app requires LIGHTIFY system (app and gateway) or other compatible Smart home system

## LOGISTICAL DATA

Product code	Packaging unit (Pieces/Unit)	Dimensions (length x width x height)	Gross weight	Volume
4058075209138	Folding carton box 1	61 mm x 78 mm x 96 mm	119.00 g	0.46 dm <sup>3</sup>
4058075214293	Shipping carton box 4	173 mm x 108 mm x 141 mm	550.00 g	2.63 dm <sup>3</sup>
4058075214309	Shipping carton box 32	359 mm x 229 mm x 303 mm	4652.00 g	24.91 dm <sup>3</sup>

The mentioned product code describes the smallest quantity unit which can be ordered. One shipping unit can contain one or more single products. When placing an order, for the quantity please enter single or multiples of a shipping unit.

---

**DISCLAIMER**

Subject to change without notice. Errors and omission excepted. Always make sure to use the most recent release.