

PRODUCT FAMILY DATASHEET

SMART+ Spot GU10 Tunable White

PAR16 Spot with ZigBee technology



AREAS OF APPLICATION

- General illumination
- Outdoor applications only in suitable luminaires

PRODUCT BENEFITS

- Up to 80 % less energy consumption compared to halogen lamps
- Easy to install and use
- Contains no mercury

PRODUCT FEATURES

- LED PAR 16 lamp with wireless smart lighting function
- Adjustable light color via Tunable White: Warm White to Cool White (2,700 K...6,500 K)
- Dimmable
- Network protocol: ZigBee
- Lifetime: up to 20,000 h
- Controllable via compatible smart home system (gateway and app) or SMART+ Switch
- For full functionality connection to a compatible smart home System (gateway and app) required



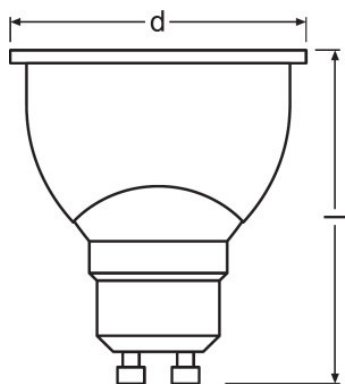
TECHNICAL DATA

Product description	Electrical data	Photometrical data								
	Nominal wattage	Adjustable color temperature	Rated luminous flux	Light color (designation)	Rated peak intensity	Color temperature	Lumen main.fact.at end of nom.life time	Standard deviation of color matching	Color rendering index Ra	Nominal luminous flux
SMART+ ZB SPOT 4.5 W 230 V 36° GU10 ¹⁾	4.50 W	2700...6500 K	350 lm	Tunable White	980 cd	2700 K	0.70	≤6 sdc _m	>80	350 lm

Product description	Light technical data			Dimensions & weight		Lifespan		
	Starting time	Warm-up time (60 %)	Light control	Length	Diameter	Nominal lamp life time	Lumen maintenance at end of service life	Rated lamp life time
SMART+ ZB SPOT 4.5 W 230 V 36° GU10 ¹⁾	< 0.5 s	< 0.50 s	Adjustable color temperature	55.0 mm	50.0 mm	15000 h	0.70	15000 h

Product description	Number of switching cycles	Capabilities	Certificates & standards	
		Compatible smart home technology	Energy consumption	Energy efficiency class
SMART+ ZB SPOT 4.5 W 230 V 36° GU10 ¹⁾	100000	ZigBee	5 kWh/1000h	A+

¹⁾ All technical parameters apply to the entire lamp/Due to the complex production process for light-emitting diodes, the typical values shown for the technical LED parameters are purely statistical values that do not necessarily match the actual technical parameters of each individual product, which can vary from the typical value/Reset settings to default by switching the product on for five seconds and off for five seconds and repeating this five times.



SMART+ ZB SPOT 4.5 W 230 V 36° GU10

EQUIPMENT / ACCESSORIES

- Control via app requires LIGHTIFY system (app and gateway) or other compatible Smart home system

APPLICATION ADVICE

For more detailed application information and graphics please see product datasheet.

LOGISTICAL DATA

Product code	Packaging unit (Pieces/Unit)	Dimensions (length x width x height)	Gross weight	Volume
4058075213777	Shipping carton box 4	173 mm x 108 mm x 141 mm	577.00 g	2.63 dm ³

The mentioned product code describes the smallest quantity unit which can be ordered. One shipping unit can contain one or more single products. When placing an order, for the quantity please enter single or multiples of a shipping unit.

DISCLAIMER

Subject to change without notice. Errors and omission excepted. Always make sure to use the most recent release.