

# PRODUCT FAMILY DATASHEET

## SMART+ Spot GU10 Multicolour

PAR16 Spot with ZigBee technology



---

### AREAS OF APPLICATION

- General illumination
- Outdoor applications only in suitable luminaires

---

### PRODUCT BENEFITS

- Easy to install and use
- Up to 80 % less energy consumption compared to halogen lamps
- Contains no mercury

---

### PRODUCT FEATURES

- LED PAR 16 lamp with wireless smart lighting function
- RGB color control, approx. 16 million color options adjustable
- Adjustable color temperature via Tunable White: 2,000...6,500 K
- Dimmable
- Network protocol: ZigBee
- Lifetime: up to 20,000 h
- Controllable via compatible smart home system (gateway and app) or SMART+ Switch
- For full functionality connection to a compatible smart home System (gateway and app) required



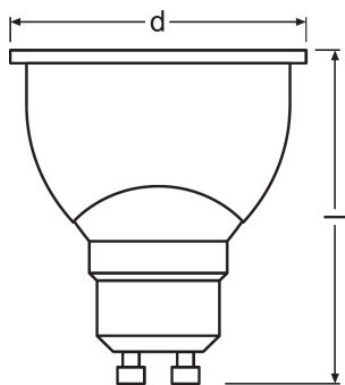
TECHNICAL DATA

Product description	Electrical data	Photometrical data								Light technical data
	Nominal wattage	Adjustable color temperature	Lumen main.fact.at end of nom.life time	Standard deviation of color matching	Rated luminous flux	Light color (designation)	Nominal luminous flux	Color temperature	Color rendering index Ra	Starting time
SMART+ ZB SPOT 5 W 220...240 V 100° GU10 <sup>1)</sup>	5.00 W	2000...6500 K	0.70	≤6 sdc	350 lm	RGBW	350 lm	2700 K	>80	< 0.5 s

Product description	Warm-up time (60 %)	Light control	Dimensions & weight		Lifespan			Nominal lamp life time
			Length	Diameter	Rated lamp life time	Lumen maintenance at end of service life	Number of switching cycles	
SMART+ ZB SPOT 5 W 220...240 V 100° GU10 <sup>1)</sup>	< 0.50 s	RGB color control	58.0 mm	50.0 mm	15000 h	0.70	100000	15000 h

Product description	Capabilities	Certificates & standards	
	Compatible smart home technology	Energy consumption	Energy efficiency class
SMART+ ZB SPOT 5 W 220...240 V 100° GU10 <sup>1)</sup>	ZigBee	6 kWh/1000h	A+

<sup>1)</sup> All technical parameters apply to the entire lamp/Due to the complex production process for light-emitting diodes, the typical values shown for the technical LED parameters are purely statistical values that do not necessarily match the actual technical parameters of each individual product, which can vary from the typical value/Reset settings to default by switching the product on for five seconds and off for five seconds and repeating this five times.



SMART+ ZB SPOT 5 W 220...240 V 100°  
GU10

#### EQUIPMENT / ACCESSORIES

- Control via app requires LIGHTIFY system (app and gateway) or other compatible Smart home system

#### APPLICATION ADVICE

For more detailed application information and graphics please see product datasheet.

#### LOGISTICAL DATA

Product code	Packaging unit (Pieces/Unit)	Dimensions (length x width x height)	Gross weight	Volume
4058075213814	Shipping carton box 4	173 mm x 108 mm x 141 mm	577.00 g	2.63 dm <sup>3</sup>

The mentioned product code describes the smallest quantity unit which can be ordered. One shipping unit can contain one or more single products. When placing an order, for the quantity please enter single or multiples of a shipping unit.

---

**DISCLAIMER**

Subject to change without notice. Errors and omission excepted. Always make sure to use the most recent release.