

PRODUCT DATASHEET

PANAN Alu CCT Black

PANAN Alu CCT | Aluminium table luminaires with adjustable light temperature



AREAS OF APPLICATION

- Living areas
- Tables, Desks

PRODUCT BENEFITS

- Adjustable color temperature for a wide range of applications
- Provides cold white light for an activating and warm white light for a relaxing atmosphere
- Switching and three step dimming via a touch sensitive sensor on the luminaire base
- Made of high quality aluminium

PRODUCT FEATURES

- Table luminaire with minimalistic design and adjustable luminaire head
- Adjustable light color: 3000 K, 4300 K, 6000 K
- Material: Aluminium (Housing), Polycarbonate (Diffusor)



TECHNICAL DATA

Electrical data

Nominal wattage	7.00 W
Operating mode	Mains voltage
Nominal voltage	220...240 V
Mains frequency	50/60 Hz

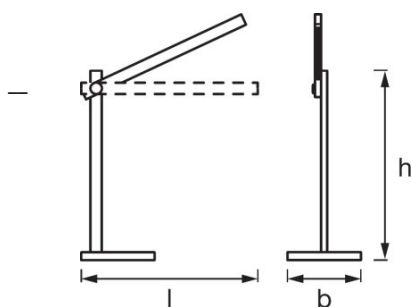
Photometrical data

Color temperature	3000...6500 K
Color rendering index Ra	≥80
Luminous flux	310 lm
Luminous efficacy	44 lm/W

Light technical data

Beam angle	100.00 °
-------------------	----------

Dimensions & weight



Length	407.0 mm
Width	170.0 mm
Height	430.0 mm
Product weight	718.00 g
Cable length	1800 mm

Colors & materials

Body material	Aluminium/Acrylonitrile butadiene styrene (ABS)
Product color	Black
Housing color	Black
Cover material	Plastic

Temperatures & operating conditions

Ambient temperature range	-20...+40 °C
---------------------------	--------------

Lifespan

Number of switching cycles	100000
----------------------------	--------

Additional product data

Mounting type	Surface
Mounting location	Table

Capabilities

Dimmable	Yes
Adjustable	Yes
Type of connection	Plug, EU
LED module replaceable	Not replaceable

Certificates & standards

Protection class	II
Type of protection	IP20
Standards	CE/EAC/REACH/RoHS

EQUIPMENT / ACCESSORIES

- External mains adapter (cable length: 1.5 m) included

LOGISTICAL DATA

Product code	Packaging unit (Pieces/Unit)	Dimensions (length x width x height)	Gross weight	Volume
4058075321281	Folding carton box 1	176 mm x 176 mm x 446 mm	901.00 g	13.82 dm ³
4058075321298	Shipping carton box 4	365 mm x 365 mm x 465 mm	4048.00 g	61.95 dm ³

The mentioned product code describes the smallest quantity unit which can be ordered. One shipping unit can contain one or more single products. When placing an order, for the quantity please enter single or multiples of a shipping unit.

DISCLAIMER

Subject to change without notice. Errors and omission excepted. Always make sure to use the most recent release.