

# PRODUCT DATASHEET

## PANAN Disc Double White

PANAN Disc Double | Mobile table luminaires with two luminaire heads



---

### AREAS OF APPLICATION

- Where light is required but a socket is not available
- Whenever a cableless solution is preferred
- When flexible lighting is required
- Living areas
- Tables, Desks

---

### PRODUCT BENEFITS

- Can easily be moved to where light is needed thanks to battery operation
- Switching and stepless dimming via a touch sensitive sensor on the luminaire base
- Bendable luminaire neck for free orientation of light source

---

### PRODUCT FEATURES

- Integrated rechargeable lithium battery which can be charged via USB cable
- Light color: Warm White
- Housing made of plastic, luminaire neck made of silicone rubber
- Battery discharge time: up to 4 h



**TECHNICAL DATA**

Electrical data

Nominal wattage	5.00 W
Operating mode	Battery
Nominal voltage	5 V
Mains frequency	0 Hz

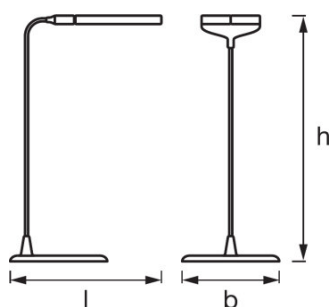
Photometrical data

Color temperature	3000 K
Color rendering index Ra	≥80
Light color (designation)	Warm White
Luminous flux	220 lm
Luminous efficacy	44 lm/W

Light technical data

Beam angle	105.00 °
------------	----------

Dimensions & weight



Length	375.0 mm
Width	170.0 mm
Height	400.0 mm
Product weight	512.00 g

Colors & materials

Body material	Acrylonitrile butadiene styrene (ABS)
Product color	White
Housing color	White
Cover material	Plastic
Light emitting surface material	Plastic

## Temperatures &amp; operating conditions

Ambient temperature range	0...+40 °C
---------------------------	------------

## Lifespan

Number of switching cycles	100000
----------------------------	--------

## Additional product data

Mounting type	Surface
Mounting location	Table

## Capabilities

Dimmable	Yes
Adjustable	Yes
LED module replaceable	Not replaceable

## Certificates &amp; standards

Protection class	III
Type of protection	IP20
Standards	CE/EAC/REACH/RoHS

## EQUIPMENT / ACCESSORIES

- USB cable, length: 1 m

## LOGISTICAL DATA

Product code	Packaging unit (Pieces/Unit)	Dimensions (length x width x height)	Gross weight	Volume
4058075301733	Folding carton box 1	176 mm x 176 mm x 366 mm	684.00 g	11.34 dm <sup>3</sup>
4058075301740	Shipping carton box 4	364 mm x 364 mm x 381 mm	3153.00 g	50.48 dm <sup>3</sup>

The mentioned product code describes the smallest quantity unit which can be ordered. One shipping unit can contain one or more single products. When placing an order, for the quantity please enter single or multiples of a shipping unit.

## DISCLAIMER

Subject to change without notice. Errors and omission excepted. Always make sure to use the most recent release.