

PRODUCT FAMILY DATASHEET

NIGHTLUX Torch

Nightlights with motion sensor and torch function, battery-powered



AREAS OF APPLICATION

- For a very large range of uses
- Indoor and outdoor
- Ideal for the home or on the move

PRODUCT BENEFITS

- Attractive and functional design
- Economical operation due to low power consumption
- Easy and fast mounting on nearly every surface (adhesive tape or screws)
- Accessories for flexible mounting options included
- Can be removed from the holder for use as a portable light

PRODUCT FEATURES

- Integrated light and motion sensor
- Available in two housing colors
- Switch for Auto- or On/Off-Mode
- Type of protection: IP54

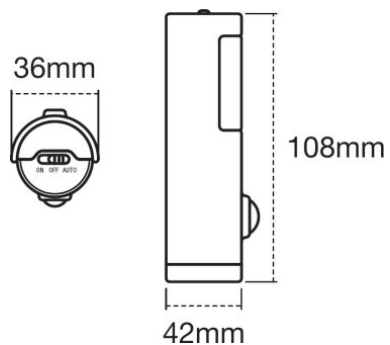


TECHNICAL DATA

| Product description | Electrical data | | | Photometrical data | | Luminaire sensor data | Dimensions & weight | | | | Colors & materials |
|-----------------------|-----------------|-----------------|-----------------|--------------------|---------------|-----------------------|---------------------|---------|----------|----------------|--------------------|
| | Nominal wattage | Nominal voltage | Mains frequency | Color temperature | Luminous flux | Type of sensor | Length | Width | Height | Product weight | Body material |
| NIGHTLUX Torch White | 0.35 W | 4.5 V | 0 Hz | 4000 K | 10 lm | Light / Motion | 36.0 mm | 42.0 mm | 108.0 mm | 95.00 g | Polycarbonate (PC) |
| NIGHTLUX Torch Silver | 0.35 W | 4.5 V | 0 Hz | 4000 K | 10 lm | Light / Motion | 36.0 mm | 42.0 mm | 108.0 mm | 95.00 g | Polycarbonate (PC) |

| Product description | Housing color | Product color | Temperatures & operating conditions | Lifespan | Capabilities | | Certificates & standards | |
|-----------------------|---------------|---------------|-------------------------------------|----------------------------|--------------|------------------------|--------------------------|--------------------|
| | | | Ambient temperature range | Number of switching cycles | Dimmable | LED module replaceable | Protection class | Type of protection |
| NIGHTLUX Torch White | White | White | 0...+25 °C | 10000 | No | Not replaceable | III | IP54 |
| NIGHTLUX Torch Silver | Silver | Silver | 0...+25 °C | 10000 | No | Not replaceable | III | IP54 |

| Product description | Standards |
|-----------------------|-------------------|
| NIGHTLUX Torch White | CE/EAC/REACH/RoHS |
| NIGHTLUX Torch Silver | CE/EAC/REACH/RoHS |



NIGHTLUX Torch White, NIGHTLUX Torch Silver

EQUIPMENT / ACCESSORIES

- Batteries included: 3x1.5 V LR03 (AAA)

APPLICATION ADVICE

For more detailed application information and graphics please see product datasheet.

LOGISTICAL DATA

| Product code | Packaging unit (Pieces/Unit) | Dimensions (length x width x height) | Gross weight | Volume |
|---------------|------------------------------|--------------------------------------|--------------|----------------------|
| 4058075260702 | Shipping carton box 6 | 300 mm x 154 mm x 210 mm | 812.00 g | 9.70 dm ³ |
| 4058075260726 | Shipping carton box 6 | 300 mm x 154 mm x 210 mm | 812.00 g | 9.70 dm ³ |

| Product code | Packaging unit (Pieces/Unit) | Dimensions (length x width x height) | Gross weight | Volume |
|--------------|------------------------------|--------------------------------------|--------------|--------|
|--------------|------------------------------|--------------------------------------|--------------|--------|

The mentioned product code describes the smallest quantity unit which can be ordered. One shipping unit can contain one or more single products. When placing an order, for the quantity please enter single or multiples of a shipping unit.

DISCLAIMER

Subject to change without notice. Errors and omission excepted. Always make sure to use the most recent release.