

# PRODUCT FAMILY DATASHEET

## LUNIVE

Luminaires with glass cover



---

### AREAS OF APPLICATION

- Indoor applications
- Dining rooms, living rooms, study rooms
- Corridors

---

### PRODUCT BENEFITS

- Available in two light colors to create the right atmosphere in your room
- Very homogenous light
- Quick and simple installation

---

### PRODUCT FEATURES

- Ceiling luminaire with advanced LED technology
- Italian designs, available in various sizes and wattages
- High quality glass and metal housing finish



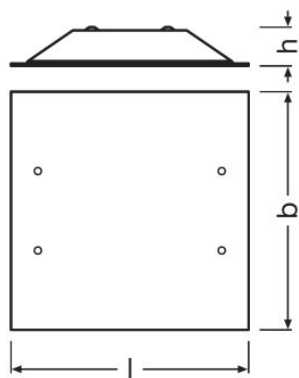
TECHNICAL DATA

Product description	Electrical data			Photometrical data		Light technical data	Dimensions & weight				Colors & materials
	Nominal wattage	Nominal voltage	Mains frequency	Color temperature	Luminous flux	Beam angle	Length	Width	Height	Product weight	Body material
LUNIVE AREA 300x300 19 W 4000 K	19.00 W	220...240 V	50/60 Hz	4000 K	1050 lm	120 °	300.0 mm	300.0 mm	49.0 mm	1640.00 g	Aluminum
LUNIVE AREA 300x300 19 W 3000 K	19.00 W	220...240 V	50/60 Hz	3000 K	1050 lm	120 °	300.0 mm	300.0 mm	49.0 mm	1640.00 g	Aluminum
LUNIVE AREA 400x400 24 W 4000 K	24.00 W	220...240 V	50/60 Hz	4000 K	1520 lm	120 °	400.0 mm	400.0 mm	49.0 mm	3100.00 g	Aluminum
LUNIVE ARC 270x120 8 W 3000 K	8.00 W	220...240 V	50/60 Hz	3000 K	400 lm	120 °	265.0 mm	117.0 mm	58.0 mm	600.00 g	Aluminum
LUNIVE ARC 270x120 8 W 4000 K	8.00 W	220...240 V	50/60 Hz	4000 K	400 lm	120 °	265.0 mm	117.0 mm	58.0 mm	600.00 g	Aluminum
LUNIVE ARC 390x300 19 W 3000 K	19.00 W	220...240 V	50/60 Hz	3000 K	810 lm	120 °	393.0 mm	300.0 mm	71.0 mm	2000.00 g	Aluminum
LUNIVE ARC 390x300 19 W 4000 K	19.00 W	220...240 V	50/60 Hz	4000 K	1200 lm	120 °	393.0 mm	300.0 mm	71.0 mm	2000.00 g	Aluminum
LUNIVE ARC 440x120 16 W 3000 K	16.00 W	220...240 V	50/60 Hz	3000 K	640 lm	120 °	435.0 mm	117.0 mm	71.0 mm	1080.00 g	Aluminum
LUNIVE ARC 440x120 16 W 4000 K	16.00 W	220...240 V	50/60 Hz	4000 K	640 lm	120 °	435.0 mm	117.0 mm	71.0 mm	1080.00 g	Aluminum
LUNIVE QUADRO 110x110 8 W 3000 K	8.00 W	220...240 V	50/60 Hz	3000 K	400 lm	120 °	110.0 mm	110.0 mm	51.0 mm	470.00 g	Aluminum
LUNIVE QUADRO 110x110 8 W 4000 K	8.00 W	220...240 V	50/60 Hz	4000 K	400 lm	120 °	110.0 mm	110.0 mm	51.0 mm	470.00 g	Aluminum
LUNIVE QUADRO 200x200 19 W 3000 K	19.00 W	220...240 V	50/60 Hz	3000 K	1050 lm	120 °	200.0 mm	200.0 mm	51.0 mm	1200.00 g	Aluminum
LUNIVE QUADRO 200x200 19 W 4000 K	19.00 W	220...240 V	50/60 Hz	4000 K	1050 lm	120 °	200.0 mm	200.0 mm	51.0 mm	1200.00 g	Aluminum
LUNIVE QUADRO 300x300 24 W 3000 K	24.00 W	220...240 V	50/60 Hz	3000 K	1520 lm	120 °	300.0 mm	300.0 mm	51.0 mm	2480.00 g	Aluminum
LUNIVE QUADRO 300x300 24 W 4000 K	24.00 W	220...240 V	50/60 Hz	4000 K	1520 lm	120 °	300.0 mm	300.0 mm	51.0 mm	2480.00 g	Aluminum
LUNIVE VELA 220x220 14 W 3000 K	14.00 W	220...240 V	50/60 Hz	3000 K	750 lm	120 °	220.0 mm	220.0 mm	55.0 mm	870.00 g	Aluminum
LUNIVE VELA 220x220 14 W 4000 K	14.00 W	220...240 V	50/60 Hz	4000 K	750 lm	120 °	220.0 mm	220.0 mm	55.0 mm	870.00 g	Aluminum
LUNIVE VELA 300x300 19 W 3000 K	19.00 W	220...240 V	50/60 Hz	3000 K	1050 lm	120 °	305.0 mm	305.0 mm	75.0 mm	1540.00 g	Aluminum
LUNIVE VELA 300x300 19 W 4000 K	19.00 W	220...240 V	50/60 Hz	4000 K	1050 lm	120 °	305.0 mm	305.0 mm	75.0 mm	1540.00 g	Aluminum
LUNIVE VELA 400x400 24 W 3000 K	24.00 W	220...240 V	50/60 Hz	3000 K	1520 lm	120 °	405.0 mm	405.0 mm	92.0 mm	2660.00 g	Aluminum
LUNIVE VELA 400x400 24 W 4000 K	24.00 W	220...240 V	50/60 Hz	4000 K	1520 lm	120 °	405.0 mm	405.0 mm	92.0 mm	2660.00 g	Aluminum

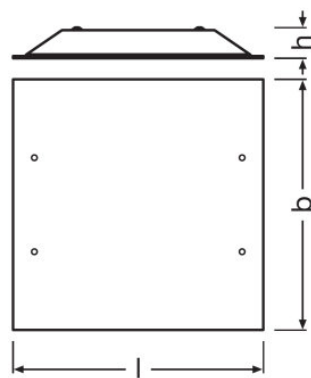
Product description	Housing color	Product color	Cover material	Light emitting surface material	Temperatures & operating conditions	Lifespan		Capabilities	
					Ambient temperature range	Number of switching cycles	Lifespan	Dimmable	Type of connection
LUNIVE AREA 300x300 19 W 4000 K	White	White	Glass	Glass	-20...+40 °C	50000	20000 h	No	Push and screw terminal
LUNIVE AREA 300x300 19 W 3000 K	White	White	Glass	Glass	-20...+40 °C	50000	20000 h	No	Push and screw terminal
LUNIVE AREA 400x400 24 W 4000 K	White	White	Glass	Glass	-20...+40 °C	50000	20000 h	No	Push and screw terminal
LUNIVE ARC 270x120 8 W 3000 K	Gray	Gray	Glass	Glass	-20...+40 °C	50000	20000 h	No	Push and screw terminal
LUNIVE ARC 270x120 8 W 4000 K	Gray	Gray	Glass	Glass	-20...+40 °C	50000	20000 h	No	Push and screw terminal
LUNIVE ARC 390x300 19 W 3000 K	Gray	Gray	Glass	Glass	-20...+40 °C	50000	20000 h	No	Push and screw terminal
LUNIVE ARC 390x300 19 W 4000 K	Gray	Gray	Glass	Glass	-20...+40 °C	50000	20000 h	No	Push and screw terminal
LUNIVE ARC 440x120 16 W 3000 K	Gray	Gray	Glass	Glass	-20...+40 °C	50000	20000 h	No	Push and screw terminal
LUNIVE ARC 440x120 16 W 4000 K	Gray	Gray	Glass	Glass	-20...+40 °C	50000	20000 h	No	Push and screw terminal
LUNIVE QUADRO 110x110 8 W 3000 K	White	White	Glass	Glass	-20...+40 °C	50000	20000 h	No	Push and screw terminal
LUNIVE QUADRO 110x110 8 W 4000 K	White	White	Glass	Glass	-20...+40 °C	50000	20000 h	No	Push and screw terminal

Product description	Housing color	Product color	Cover material	Light emitting surface material	Temperatures & operating conditions	Lifespan		Capabilities	
					Ambient temperature range	Number of switching cycles	Lifespan	Dimmable	Type of connection
LUNIVE QUADRO 200x200 19 W 3000 K	White	White	Glass	Glass	-20...+40 °C	50000	20000 h	No	Push and screw terminal
LUNIVE QUADRO 200x200 19 W 4000 K	White	White	Glass	Glass	-20...+40 °C	50000	20000 h	No	Push and screw terminal
LUNIVE QUADRO 300x300 24 W 3000 K	White	White	Glass	Glass	-20...+40 °C	50000	20000 h	No	Push and screw terminal
LUNIVE QUADRO 300x300 24 W 4000 K	White	White	Glass	Glass	-20...+40 °C	50000	20000 h	No	Push and screw terminal
LUNIVE VELA 220x220 14 W 3000 K	Gray	Gray	Glass	Glass	-20...+40 °C	50000	20000 h	No	Push and screw terminal
LUNIVE VELA 220x220 14 W 4000 K	Gray	Gray	Glass	Glass	-20...+40 °C	50000	20000 h	No	Push and screw terminal
LUNIVE VELA 300x300 19 W 3000 K	Gray	Gray	Glass	Glass	-20...+40 °C	50000	20000 h	No	Push and screw terminal
LUNIVE VELA 300x300 19 W 4000 K	Gray	Gray	Glass	Glass	-20...+40 °C	50000	20000 h	No	Push and screw terminal
LUNIVE VELA 400x400 24 W 3000 K	Gray	Gray	Glass	Glass	-20...+40 °C	50000	20000 h	No	Push and screw terminal
LUNIVE VELA 400x400 24 W 4000 K	Gray	Gray	Glass	Glass	-20...+40 °C	50000	20000 h	No	Push and screw terminal

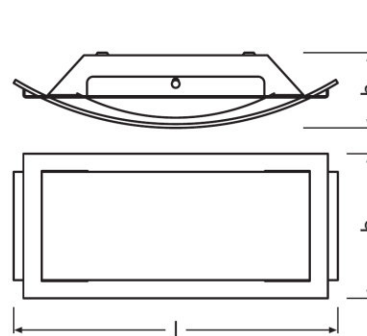
Product description	Certificates & standards	
	Protection class	Type of protection
LUNIVE AREA 300x300 19 W 4000 K	I	IP20
LUNIVE AREA 300x300 19 W 3000 K	I	IP20
LUNIVE AREA 400x400 24 W 4000 K	I	IP20
LUNIVE ARC 270x120 8 W 3000 K	I	IP20
LUNIVE ARC 270x120 8 W 4000 K	I	IP20
LUNIVE ARC 390x300 19 W 3000 K	I	IP20
LUNIVE ARC 390x300 19 W 4000 K	I	IP20
LUNIVE ARC 440x120 16 W 3000 K	I	IP20
LUNIVE ARC 440x120 16 W 4000 K	I	IP20
LUNIVE QUADRO 110x110 8 W 3000 K	I	IP20
LUNIVE QUADRO 110x110 8 W 4000 K	I	IP20
LUNIVE QUADRO 200x200 19 W 3000 K	I	IP20
LUNIVE QUADRO 200x200 19 W 4000 K	I	IP20
LUNIVE QUADRO 300x300 24 W 3000 K	I	IP20
LUNIVE QUADRO 300x300 24 W 4000 K	I	IP20
LUNIVE VELA 220x220 14 W 3000 K	I	IP20
LUNIVE VELA 220x220 14 W 4000 K	I	IP20
LUNIVE VELA 300x300 19 W 3000 K	I	IP20
LUNIVE VELA 300x300 19 W 4000 K	I	IP20
LUNIVE VELA 400x400 24 W 3000 K	I	IP20
LUNIVE VELA 400x400 24 W 4000 K	I	IP20



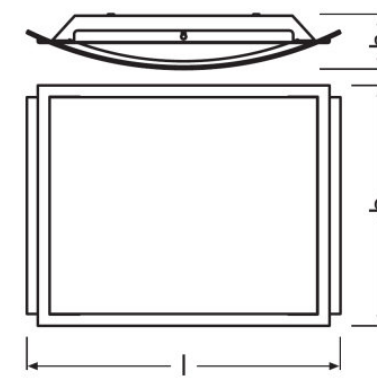
LUNIVE AREA 300x300 19 W 4000 K,  
LUNIVE AREA 300x300 19 W 3000 K



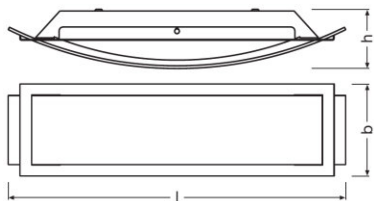
LUNIVE AREA 400x400 24 W 4000 K



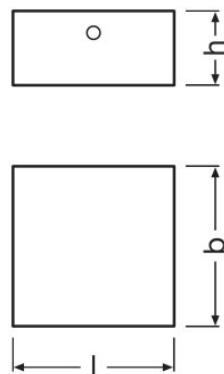
LUNIVE ARC 270x120 8 W 3000 K,  
LUNIVE ARC 270x120 8 W 4000 K



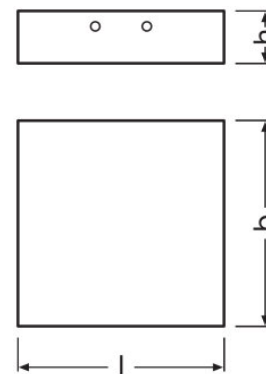
LUNIVE ARC 390x300 19 W 3000 K,  
LUNIVE ARC 390x300 19 W 4000 K



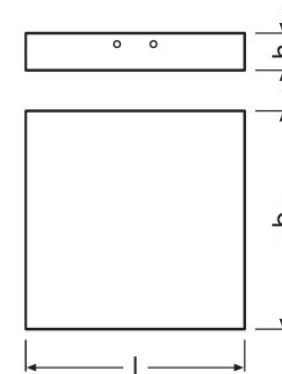
LUNIVE ARC 440x120 16 W 3000 K,  
LUNIVE ARC 440x120 16 W 4000 K



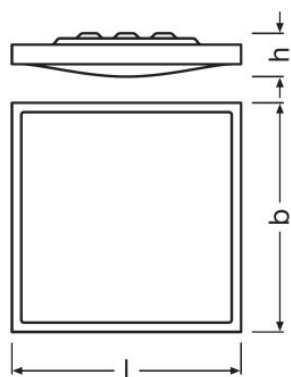
LUNIVE QUADRO 110x110 8 W 3000 K,  
LUNIVE QUADRO 110x110 8 W 4000 K



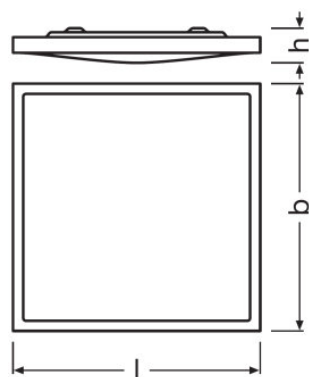
LUNIVE QUADRO 200x200 19 W 3000  
K, LUNIVE QUADRO 200x200 19 W  
4000 K



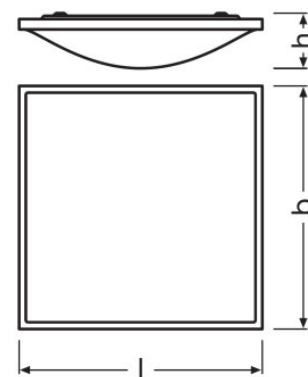
LUNIVE QUADRO 300x300 24 W 3000  
K, LUNIVE QUADRO 300x300 24 W  
4000 K



LUNIVE VELA 220x220 14 W 3000 K,  
LUNIVE VELA 220x220 14 W 4000 K



LUNIVE VELA 300x300 19 W 3000 K,  
LUNIVE VELA 300x300 19 W 4000 K



LUNIVE VELA 400x400 24 W 3000 K,  
LUNIVE VELA 400x400 24 W 4000 K

### EQUIPMENT / ACCESSORIES

- Complete mounting and connecting accessories included

### APPLICATION ADVICE

For more detailed application information and graphics please see product datasheet.

### LOGISTICAL DATA

Product code	Packaging unit (Pieces/Unit)	Dimensions (length x width x height)	Gross weight	Volume
4058075228467	Shipping carton box 2	351 mm x 342 mm x 228 mm	4282.00 g	27.37 dm <sup>3</sup>
4058075228481	UN4 1	463 mm x 454 mm x 171 mm	2208.00 g	35.94 dm <sup>3</sup>

Product code	Packaging unit (Pieces/Unit)	Dimensions (length x width x height)	Gross weight	Volume
4058075228382	Shipping carton box 2	351 mm x 342 mm x 228 mm	4282.00 g	27.37 dm <sup>3</sup>
4058075228429	UN4 1	463 mm x 454 mm x 171 mm	2208.00 g	35.94 dm <sup>3</sup>
4058075228542	Shipping carton box 2	451 mm x 442 mm x 238 mm	7574.00 g	47.44 dm <sup>3</sup>
4058075228566	UN4 1	493 mm x 484 mm x 161 mm	3748.00 g	38.42 dm <sup>3</sup>
4058075227323	Shipping carton box 4	320 mm x 301 mm x 238 mm	3273.00 g	22.92 dm <sup>3</sup>
4058075228160	UN4 1	353 mm x 166 mm x 139 mm	908.00 g	8.15 dm <sup>3</sup>
4058075228184	Shipping carton box 4	320 mm x 301 mm x 238 mm	3273.00 g	22.92 dm <sup>3</sup>
4058075228207	UN4 1	353 mm x 166 mm x 139 mm	908.00 g	8.15 dm <sup>3</sup>
4058075228306	Shipping carton box 2	451 mm x 442 mm x 238 mm	5374.00 g	47.44 dm <sup>3</sup>
4058075228344	Shipping carton box 2	451 mm x 442 mm x 238 mm	5374.00 g	47.44 dm <sup>3</sup>
4058075228368	UN4 1	493 mm x 484 mm x 201 mm	2914.00 g	47.96 dm <sup>3</sup>
4058075228221	Shipping carton box 4	490 mm x 301 mm x 238 mm	5623.00 g	35.10 dm <sup>3</sup>
4058075228245	UN4 1	513 mm x 211 mm x 144 mm	1585.00 g	15.59 dm <sup>3</sup>
4058075228269	Shipping carton box 4	490 mm x 301 mm x 238 mm	5623.00 g	35.10 dm <sup>3</sup>
4058075228283	UN4 1	513 mm x 211 mm x 144 mm	1585.00 g	15.59 dm <sup>3</sup>
4058075226722	Shipping carton box 4	271 mm x 150 mm x 197 mm	2240.00 g	8.01 dm <sup>3</sup>



Product code	Packaging unit (Pieces/Unit)	Dimensions (length x width x height)	Gross weight	Volume
4058075226746	UN4 1	183 mm x 174 mm x 156 mm	673.00 g	4.97 dm <sup>3</sup>
4058075226760	Shipping carton box 4	271 mm x 150 mm x 197 mm	2240.00 g	8.01 dm <sup>3</sup>
4058075226784	UN4 1	183 mm x 174 mm x 156 mm	673.00 g	4.97 dm <sup>3</sup>
4058075226807	Shipping carton box 4	491 mm x 260 mm x 197 mm	5608.00 g	25.15 dm <sup>3</sup>
4058075226821	UN4 1	293 mm x 284 mm x 146 mm	1593.00 g	12.15 dm <sup>3</sup>
4058075226876	Shipping carton box 4	491 mm x 260 mm x 197 mm	5608.00 g	25.15 dm <sup>3</sup>
4058075226920	UN4 1	293 mm x 284 mm x 146 mm	1593.00 g	12.15 dm <sup>3</sup>
4058075226944	Shipping carton box 2	351 mm x 342 mm x 228 mm	5862.00 g	27.37 dm <sup>3</sup>
4058075226982	Shipping carton box 2	351 mm x 342 mm x 228 mm	5862.00 g	27.37 dm <sup>3</sup>
4058075227026	Shipping carton box 4	491 mm x 260 mm x 197 mm	4288.00 g	25.15 dm <sup>3</sup>
4058075227040	UN4 1	293 mm x 284 mm x 146 mm	1238.00 g	12.15 dm <sup>3</sup>
4058075227064	Shipping carton box 4	491 mm x 260 mm x 197 mm	4288.00 g	25.15 dm <sup>3</sup>
4058075227088	UN4 1	293 mm x 284 mm x 146 mm	1238.00 g	12.15 dm <sup>3</sup>
4058075227101	Shipping carton box 2	351 mm x 342 mm x 228 mm	3982.00 g	27.37 dm <sup>3</sup>
4058075227125	UN4 1	463 mm x 454 mm x 171 mm	2141.00 g	35.94 dm <sup>3</sup>
4058075227200	Shipping carton box 2	351 mm x 342 mm x 228 mm	3982.00 g	27.37 dm <sup>3</sup>

Product code	Packaging unit (Pieces/Unit)	Dimensions (length x width x height)	Gross weight	Volume
4058075227224	UN4 1	463 mm x 454 mm x 171 mm	2141.00 g	35.94 dm <sup>3</sup>
4058075227248	Shipping carton box 2	451 mm x 442 mm x 238 mm	6694.00 g	47.44 dm <sup>3</sup>
4058075227262	UN4 1	493 mm x 484 mm x 161 mm	3600.00 g	38.42 dm <sup>3</sup>
4058075227286	Shipping carton box 2	451 mm x 442 mm x 238 mm	6694.00 g	47.44 dm <sup>3</sup>
4058075227309	UN4 1	493 mm x 484 mm x 161 mm	3398.00 g	38.42 dm <sup>3</sup>

The mentioned product code describes the smallest quantity unit which can be ordered. One shipping unit can contain one or more single products. When placing an order, for the quantity please enter single or multiples of a shipping unit.

#### DISCLAIMER

Subject to change without notice. Errors and omission excepted. Always make sure to use the most recent release.