

PRODUCT FAMILY DATASHEET

LED COLOR + WHITE

LED wall and ceiling luminaire with remote control for white light and RGB color adjustment



AREAS OF APPLICATION

- Indoor applications
- Mood lighting

PRODUCT BENEFITS

- Bright panel, uniformly lit with warm white light
- Bezel illumination with constant or automatically changing color
- Comfortable and intuitive remote control
- Switching, dimming in 5 steps and color control with the push of a button
- Clean design, allows for an easy combination with various room styles

PRODUCT FEATURES

- 2 in 1 LED luminaire for white and colored light
- Available in round and square form



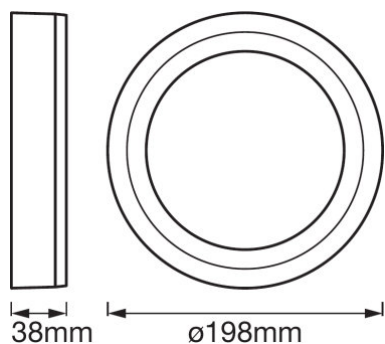
TECHNICAL DATA

Product description	Electrical data			Photometrical data		Light technical data	Dimensions & weight				Colors & materials	
	Nominal wattage	Nominal voltage	Mains frequency	Color temperature	Luminous flux	Beam angle	Diameter	Height	Product weight	Length	Width	Body material
LED COLOR + WHITE RD 200 mm 19 W	19.00 W	220...240 V	50 Hz	3000 K	650 lm	110 °	197.0 mm	40.0 mm	620.00 g			Aluminum
LED COLOR + WHITE SQ 200 mm 19 W	19.00 W	220...240 V	50 Hz	3000 K	780 lm	110 °		39.0 mm	704.00 g	196.0 mm	196.0 mm	Aluminum
LED COLOR + WHITE RD 400 mm 38 W	38.00 W	220...240 V	50 Hz	3000 K	1700 lm	110 °	400.0 mm	45.0 mm	2340.00 g			Aluminum
LED COLOR + WHITE SQ 400 mm 38 W	38.00 W	220...240 V	50 Hz	3000 K	1900 lm	110 °		45.0 mm	2700.00 g	400.0 mm	400.0 mm	Aluminum

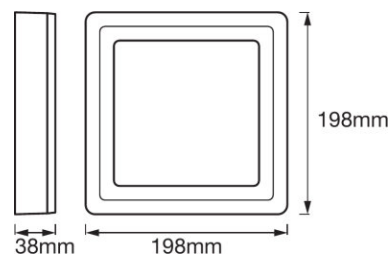
Product description	Housing color	Product color	Cover material	Light emitting surface material	Temperatures & operating conditions	Lifespan	Capabilities	
					Ambient temperature range	Number of switching cycles	Dimmable	Type of connection
LED COLOR + WHITE RD 200 mm 19 W	White	White	Polymethylmethacrylate (PMMA)	Plastic	-20...+35 °C	100000	Yes	Screw terminal
LED COLOR + WHITE SQ 200 mm 19 W	White	White	Polymethylmethacrylate (PMMA)	Plastic	-20...+35 °C	100000	Yes	Screw terminal
LED COLOR + WHITE RD 400 mm 38 W	White	White	Polymethylmethacrylate (PMMA)	Plastic	-20...+35 °C	100000	Yes	Screw terminal
LED COLOR + WHITE SQ 400 mm 38 W	White	White	Polymethylmethacrylate (PMMA)	Plastic	-20...+35 °C	100000	Yes	Screw terminal

Product description	Certificates & standards	
	Protection class	Type of protection
LED COLOR + WHITE RD 200 mm 19 W	II	IP20
LED COLOR + WHITE SQ 200 mm 19 W	II	IP20

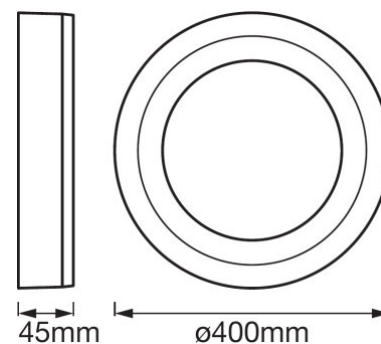
Product description	Certificates & standards	
	Protection class	Type of protection
LED COLOR + WHITE RD 400 mm 38 W	II	IP20
LED COLOR + WHITE SQ 400 mm 38 W	II	IP20



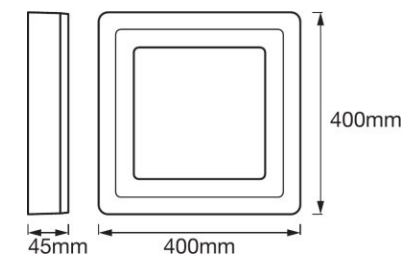
LED COLOR + WHITE RD 200 mm 19 W



LED COLOR + WHITE SQ 200 mm 19 W



LED COLOR + WHITE RD 400 mm 38 W



LED COLOR + WHITE SQ 400 mm 38 W

EQUIPMENT / ACCESSORIES

- Remote control and battery included
- Complete mounting and connecting accessories included

APPLICATION ADVICE

For more detailed application information and graphics please see product datasheet.

LOGISTICAL DATA

Product code	Packaging unit (Pieces/Unit)	Dimensions (length x width x height)	Gross weight	Volume
4058075227606	Shipping carton box 8	430 mm x 220 mm x 200 mm	5796.00 g	18.92 dm ³
4058075227583	Shipping carton box 8	430 mm x 220 mm x 200 mm	6468.00 g	18.92 dm ³
4058075265738	Shipping carton box 4	420 mm x 220 mm x 420 mm	10924.00 g	38.81 dm ³
4058075265776	Shipping carton box 4	420 mm x 220 mm x 420 mm	12364.00 g	38.81 dm ³

The mentioned product code describes the smallest quantity unit which can be ordered. One shipping unit can contain one or more single products. When placing an order, for the quantity please enter single or multiples of a shipping unit.

DISCLAIMER

Subject to change without notice. Errors and omission excepted. Always make sure to use the most recent release.