

PRODUCT DATASHEET

LED COLOR + WHITE RD 200 mm 19 W

LED COLOR + WHITE | LED wall and ceiling luminaire with remote control for white light and RGB color adjustment

AREAS OF APPLICATION

- Indoor applications
- Mood lighting



PRODUCT BENEFITS

- Bright panel, uniformly lit with warm white light
- Bezel illumination with constant or automatically changing color
- Comfortable and intuitive remote control
- Switching, dimming in 5 steps and color control with the push of a button
- Clean design, allows for an easy combination with various room styles

PRODUCT FEATURES

- 2 in 1 LED luminaire for white and colored light
- Available in round and square form



TECHNICAL DATA

Electrical data

Nominal wattage	19.00 W
Operating mode	Mains voltage
Nominal voltage	220...240 V
Mains frequency	50 Hz

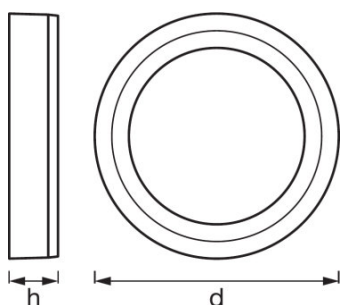
Photometrical data

Color temperature	3000 K
Color rendering index Ra	>80
Light color (designation)	Warm White
Luminous flux	650 lm
Luminous efficacy	34 lm/W

Light technical data

Beam angle	110 °
------------	-------

Dimensions & weight



Diameter	197.0 mm
Height	40.0 mm
Product weight	620.00 g

Colors & materials

Body material	Aluminum
Product color	White
Housing color	White
Cover material	Polymethylmethacrylate (PMMA)
Light emitting surface material	Plastic

Temperatures & operating conditions

Ambient temperature range	-20...+35 °C
----------------------------------	--------------

Lifespan

Number of switching cycles	100000
-----------------------------------	--------

Additional product data

Mounting type	Surface
Mounting location	Ceiling / Wall

Capabilities

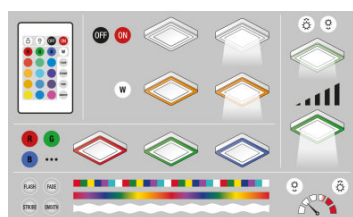
Dimmable	Yes
Type of connection	Screw terminal
LED module replaceable	Not replaceable

Certificates & standards

Protection class	II
Type of protection	IP20
Standards	CE/EAC/REACH/RoHS

EQUIPMENT / ACCESSORIES

- Remote control and battery included
- Complete mounting and connecting accessories included



Others graphics

LOGISTICAL DATA

Product code	Packaging unit (Pieces/Unit)	Dimensions (length x width x height)	Gross weight	Volume
--------------	------------------------------	--------------------------------------	--------------	--------

4058075227590	Folding carton box 1	48 mm x 207 mm x 209 mm	687.00 g	2.08 dm ³
4058075227606	Shipping carton box 8	430 mm x 220 mm x 200 mm	5796.00 g	18.92 dm ³

The mentioned product code describes the smallest quantity unit which can be ordered. One shipping unit can contain one or more single products. When placing an order, for the quantity please enter single or multiples of a shipping unit.

DISCLAIMER

Subject to change without notice. Errors and omission excepted. Always make sure to use the most recent release.