

PRODUCT FAMILY DATASHEET

LED THREE STEP DIM PAR16

LED lamps with three-step dimming



AREAS OF APPLICATION

- Wherever dimming was originally not planned
- Residential interiors
- Hospitality
- Outdoor applications only in suitable luminaires

PRODUCT BENEFITS

- Easy three-step dimming by repeatedly pressing the wall switch
- Easy and cost-effective operation, no dimmer required
- Low energy consumption
- Easy relamping thanks to compact design
- Instant 100 % light, no warm-up time
- Makes rooms multi-purpose with adjustable light atmosphere

PRODUCT FEATURES

- Dimmable in three steps: 100 %, 45 % and 15 %
- Controllable via standard wall switch
- Good quality of light; color rendering index $R_a \geq 80$
- Mercury-free lamps



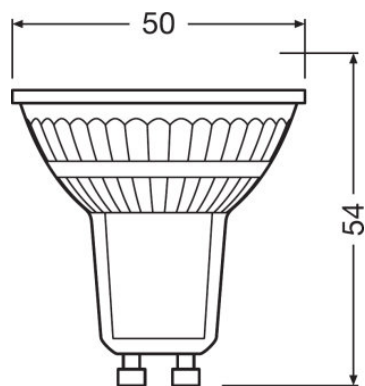
TECHNICAL DATA

Product description	Electrical data				Photometrical data				
	Nominal wattage	Nominal voltage	Max. lamp no. on circuit break. 10 A (B)	Max. lamp no. on circuit break. 16 A (B)	Lumen main.fact.at end of nom.life time	Light color (designation)	Color temperature	Luminous flux	Color rendering index Ra
SST PAR 16 50 36° 4.4 W/2700K GU10 ¹⁾	4.40 W	220...240 V	25	35	0.70	Warm White	2700 K	350 lm	≥80

Product description	Dimensions & weight	Temperatures & operating conditions	Lifespan		Additional product data		Capabilities
	Overall length	Ambient temperature range	Nominal lamp life time	Number of switching cycles	Base (standard designation)	Mercury-free	Dimmable
SST PAR 16 50 36° 4.4 W/2700K GU10 ¹⁾	54.0 mm	-20...+40 °C	15000 h	100000	GU10	Yes	No

Product description	Certificates & standards
	Energy efficiency class
SST PAR 16 50 36° 4.4 W/2700K GU10 ¹⁾	A+

¹⁾ All technical parameters apply to the entire lamp/Due to the complex production process for light-emitting diodes, the typical values shown for the technical LED parameters are purely statistical values that do not necessarily match the actual technical parameters of each individual product, which can vary from the typical value



SST PAR 16 50 36° 4.4 W/2700K GU10

APPLICATION ADVICE

For more detailed application information and graphics please see product datasheet.

LOGISTICAL DATA

Product code	Packaging unit (Pieces/Unit)	Dimensions (length x width x height)	Gross weight	Volume
4058075264250	Shipping carton box 6	322 mm x 154 mm x 135 mm	541.00 g	6.69 dm ³

The mentioned product code describes the smallest quantity unit which can be ordered. One shipping unit can contain one or more single products. When placing an order, for the quantity please enter single or multiples of a shipping unit.

DISCLAIMER

Subject to change without notice. Errors and omission excepted. Always make sure to use the most recent release.