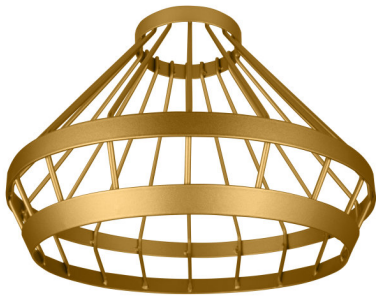


PRODUCT FAMILY DATASHEET

Vintage 1906 Luminaire shades

Accessory for the PenduLum luminaires



AREAS OF APPLICATION

- Living areas (living rooms, dining rooms, bedrooms etc.)
- Professional (hotels, bars, boutiques etc.)

PRODUCT BENEFITS

- Semi-matt surface with great look and feel
- Easy mounting with included pins

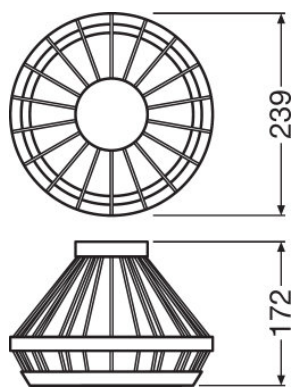
PRODUCT FEATURES

- Modifies the appearance of the Vintage 1906 PenduLum

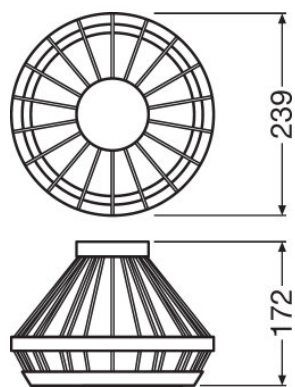


TECHNICAL DATA

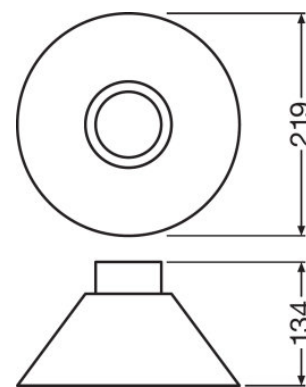
Product description	Electrical data		Dimensions & weight			Colors & materials	Temperatures & operating conditions	Certificates & standards
	Nominal voltage	Mains frequency	Diameter	Height	Product weight	Product color	Ambient temperature range	Type of protection
Vintage 1906 PenduLum Cage, black	220...240 V	50/60 Hz	239.0 mm	172.0 mm	400.00 g	Black	-20...+40 °C	IP20
Vintage 1906 PenduLum Cage, gold	220...240 V	50/60 Hz	239.0 mm	172.0 mm	400.00 g	Gold	-20...+40 °C	IP20
Vintage 1906 PenduLum Cone, black and gold	220...240 V	50/60 Hz	219.0 mm	134.0 mm	260.00 g	Black/Gold	-20...+40 °C	IP20
Vintage 1906 PenduLum Cup, black and gold	220...240 V	50/60 Hz	320.0 mm	124.0 mm	140.00 g	Black/Gold	-20...+40 °C	IP20
Vintage 1906 PenduLum Radar, black and gold	220...240 V	50/60 Hz	140.0 mm	132.0 mm	435.00 g	Black/Gold	-20...+40 °C	IP20



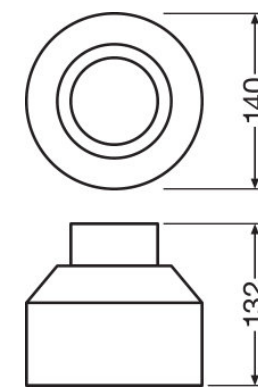
Vintage 1906 PenduLum Cage, black



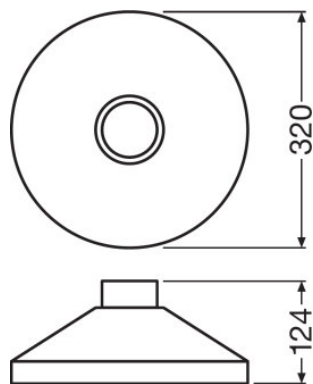
Vintage 1906 PenduLum Cage, gold



Vintage 1906 PenduLum Cone, black and gold



Vintage 1906 PenduLum Cup, black and gold



Vintage 1906 PenduLum Radar, black and gold

APPLICATION ADVICE

For more detailed application information and graphics please see product datasheet.

LOGISTICAL DATA

Product code	Packaging unit (Pieces/Unit)	Dimensions (length x width x height)	Gross weight	Volume
4058075274525	Shipping carton box 4	502 mm x 502 mm x 234 mm	2891.00 g	58.97 dm ³
4058075274549	Shipping carton box 4	502 mm x 502 mm x 234 mm	2891.00 g	58.97 dm ³
4058075227767	Shipping carton box 4	502 mm x 502 mm x 234 mm	2331.00 g	58.97 dm ³
4058075274587	Shipping carton box 4	303 mm x 303 mm x 228 mm	1290.00 g	20.93 dm ³
4058075274624	Shipping carton box 4	533 mm x 366 mm x 407 mm	2953.00 g	79.40 dm ³

Product code	Packaging unit (Pieces/Unit)	Dimensions (length x width x height)	Gross weight	Volume
--------------	------------------------------	--------------------------------------	--------------	--------

The mentioned product code describes the smallest quantity unit which can be ordered. One shipping unit can contain one or more single products. When placing an order, for the quantity please enter single or multiples of a shipping unit.

DISCLAIMER

Subject to change without notice. Errors and omission excepted. Always make sure to use the most recent release.