

PRODUCT DATASHEET

ENDURA GARDEN Flood 10 W 830 Spike

ENDURA GARDEN FLOOD | LED outdoor floodlights with ground spike



AREAS OF APPLICATION

- Outdoor
- Gardens

PRODUCT BENEFITS

- Easy connection thanks to Plug and Play technology
- Pleasant, warm white light
- Energy-efficient thanks to LED technology

PRODUCT FEATURES

- 2 m cable with protective contact plug (type F)
- Type of protection: IP65



TECHNICAL DATA

Electrical data

Nominal wattage	10.00 W
Operating mode	Electronic control gear (ECG)
Nominal voltage	220...240 V
Mains frequency	50/60 Hz

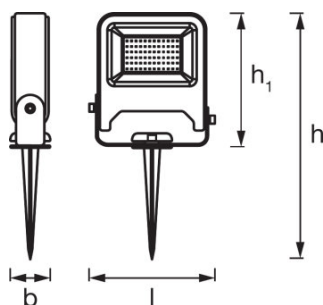
Photometrical data

Color temperature	3000 K
Color rendering index Ra	≥80
Light color (designation)	Warm White
Luminous flux	800 lm
Luminous efficacy	80 lm/W

Light technical data

Beam angle	120 °
------------	-------

Dimensions & weight



Length	44.0 mm
Width	108.0 mm
Height	292.0 mm
Product weight	500.00 g

Colors & materials

Body material	Aluminum
Product color	Dark gray
Housing color	Dark gray
Cover material	Glass

Temperatures & operating conditions

Ambient temperature range	-20...+45 °C
----------------------------------	--------------

Lifespan

Number of switching cycles	100000
-----------------------------------	--------

Additional product data

Mounting type	Ground spike
Mounting location	Ground

Capabilities

Dimmable	No
Type of connection	Protective contact Plug (type E/F)
LED module replaceable	Not replaceable

Certificates & standards

Protection class	I
Type of protection	IP65
Standards	CE/EAC/REACH/ROHS

EQUIPMENT / ACCESSORIES

- Complete mounting and connecting accessories included

LOGISTICAL DATA

Product code	Packaging unit (Pieces/Unit)	Dimensions (length x width x height)	Gross weight	Volume
4058075206847	Folding carton box 1	62 mm x 187 mm x 173 mm	570.00 g	2.01 dm ³
4058075206854	Shipping carton box 8	385 mm x 260 mm x 195 mm	4818.00 g	19.52 dm ³

The mentioned product code describes the smallest quantity unit which can be ordered. One shipping unit can contain one or more single products. When placing an order, for the quantity please enter single or multiples of a shipping unit.

DISCLAIMER

Subject to change without notice. Errors and omission excepted. Always make sure to use the most recent release.