

PRODUCT FAMILY DATASHEET

ENDURA CLASSIC LANTERN

Classic, square-shaped lantern



AREAS OF APPLICATION

- Only for specially protected outdoor areas
- Suitable for outdoor applications by luminaire mounting with lamp holder facing downwards
- Entrance lighting
- Patios, balconies

PRODUCT BENEFITS

- High flexibility in the choice of the light source thanks to E27 base
- Suitable for smart applications thanks to compatibility with Smart + lamps from LEDVANCE
- Easy and quick installation

PRODUCT FEATURES

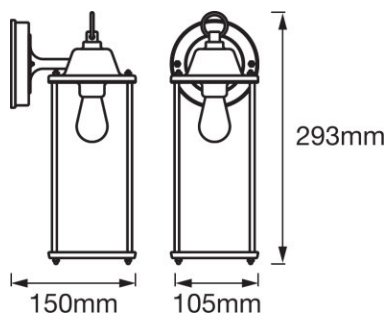
- Die-cast aluminum housing
- Diffuser made of clear glass
- Type of protection: IP23



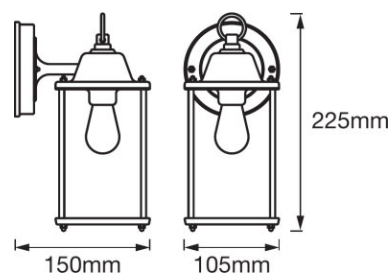
TECHNICAL DATA

Product description	Electrical data		Dimensions & weight				Colors & materials			Temperatures & operating conditions	Additional product data
	Nominal voltage	Mains frequency	Length	Width	Height	Product weight	Body material	Housing color	Product color	Ambient temperature range	Equipped with lamp
ENDURA CLASSIC Lantern SQ M E27 BK	220...240 V	50/60 Hz	150.0 mm	105.0 mm	293.0 mm	1000.00 g	Aluminum	Black	Black	-20...+40 °C	No
ENDURA CLASSIC Lantern SQ S E27 BK	220...240 V	50/60 Hz	150.0 mm	105.0 mm	225.0 mm	685.00 g	Aluminum	Black	Black	-20...+40 °C	No

Product description	Capabilities			Certificates & standards	
	Dimmable	Type of connection	Holder designation	Protection class	Type of protection
ENDURA CLASSIC Lantern SQ M E27 BK	No	Screw terminal	E27	I	IP23
ENDURA CLASSIC Lantern SQ S E27 BK	No	Screw terminal	E27	I	IP23



ENDURA CLASSIC Lantern SQ M E27 BK



ENDURA CLASSIC Lantern SQ S E27 BK

EQUIPMENT / ACCESSORIES

- Complete mounting and connecting accessories included
- No light sources included

APPLICATION ADVICE

For more detailed application information and graphics please see product datasheet.

LOGISTICAL DATA

Product code	Packaging unit (Pieces/Unit)	Dimensions (length x width x height)	Gross weight	Volume
4058075206656	Shipping carton box 6	408 mm x 357 mm x 332 mm	6833.00 g	48.36 dm ³
4058075206632	Shipping carton box 6	408 mm x 357 mm x 262 mm	4793.00 g	38.16 dm ³

The mentioned product code describes the smallest quantity unit which can be ordered. One shipping unit can contain one or more single products. When placing an order, for the quantity please enter single or multiples of a shipping unit.

DISCLAIMER

Subject to change without notice. Errors and omission excepted. Always make sure to use the most recent release.