

PRODUCT FAMILY DATASHEET

ENDURA STYLE UPDOWN FLEX

Wall luminaire with rotatable head and optional sensor



AREAS OF APPLICATION

- Outdoor use (IP44)
- Building facades
- Entrance lighting
- Patios, balconies

PRODUCT BENEFITS

- Easy and quick installation
- Energy-efficient thanks to LED technology

PRODUCT FEATURES

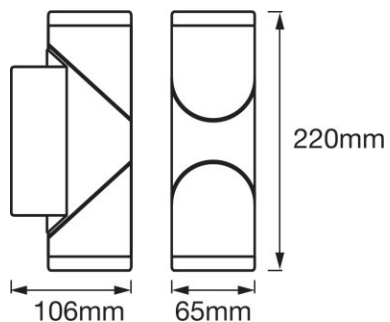
- Rotation angle luminaire head: 340°
- Available with and without motion sensor
- Die-cast aluminum housing



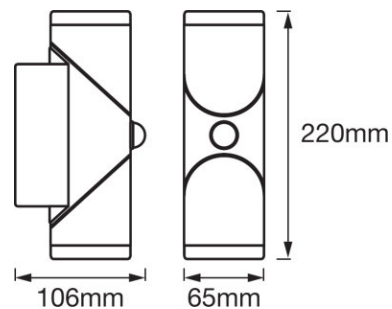
TECHNICAL DATA

Product description	Electrical data			Photometrical data		Light technical data	Dimensions & weight				Colors & materials
	Nominal wattage	Nominal voltage	Mains frequency	Color temperature	Luminous flux	Beam angle	Length	Width	Height	Product weight	Body material
ENDURA STYLE UpDown Flex 13 W DG	12.50 W	220...240 V	50/60 Hz	3000 K	700 lm	110 °	94.0 mm	65.0 mm	220.0 mm	980.00 g	Aluminum
ENDURA STYLE UpDown Flex Sensor 13 W DG	12.50 W	220...240 V	50/60 Hz	3000 K	700 lm	110 °	106.0 mm	65.0 mm	220.0 mm	1000.00 g	Aluminum

Product description	Housing color	Product color	Cover material	Temperatures & operating conditions	Lifespan	Capabilities		Certificates & standards	
				Ambient temperature range	Number of switching cycles	Dimmable	Type of connection	Protection class	Type of protection
ENDURA STYLE UpDown Flex 13 W DG	Dark gray	Dark gray	Polymethylmethacrylate (PMMA)	-20...+40 °C	15000	No	Screw terminal	I	IP44
ENDURA STYLE UpDown Flex Sensor 13 W DG	Dark gray	Dark gray	Polymethylmethacrylate (PMMA)	-20...+40 °C	15000	No	Screw terminal	I	IP44



ENDURA STYLE UpDown Flex 13 W DG



ENDURA STYLE UpDown Flex Sensor 13 W DG

EQUIPMENT / ACCESSORIES

- Complete mounting and connecting accessories included

APPLICATION ADVICE

For more detailed application information and graphics please see product datasheet.

LOGISTICAL DATA

Product code	Packaging unit (Pieces/Unit)	Dimensions (length x width x height)	Gross weight	Volume
4058075205444	Shipping carton box 6	315 mm x 265 mm x 250 mm	6387.00 g	20.87 dm ³
4058075205468	Shipping carton box 6	315 mm x 265 mm x 250 mm	6507.00 g	20.87 dm ³

Product code	Packaging unit (Pieces/Unit)	Dimensions (length x width x height)	Gross weight	Volume
--------------	------------------------------	--------------------------------------	--------------	--------

The mentioned product code describes the smallest quantity unit which can be ordered. One shipping unit can contain one or more single products. When placing an order, for the quantity please enter single or multiples of a shipping unit.

DISCLAIMER

Subject to change without notice. Errors and omission excepted. Always make sure to use the most recent release.