

PRODUCT FAMILY DATASHEET

ENDURA STYLE LANTERN MODERN

Contemporary lanterns with light guide for low-glare illumination



AREAS OF APPLICATION

- Outdoor use (IP44)
- Building facades
- Gardens, balconies and other outdoor areas
- Pathway lighting
- Driveways

PRODUCT BENEFITS

- Energy-efficient thanks to LED technology
- Easy and quick installation

PRODUCT FEATURES

- Very bright and functional outdoor LED luminaires
- Die-cast aluminum housing
- Available as wall and bollard luminaires

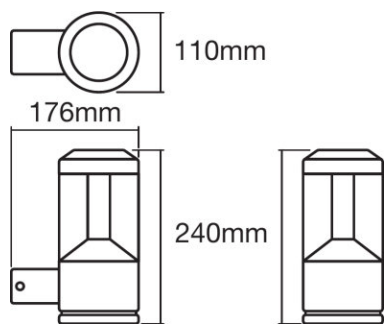


TECHNICAL DATA

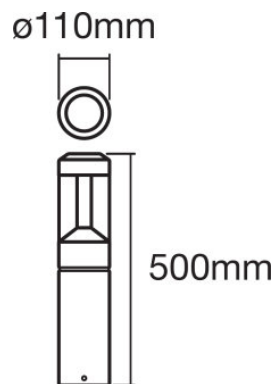
Product description	Electrical data			Photometrical data		Light technical data	Dimensions & weight				Colors & materials	
	Nominal wattage	Nominal voltage	Mains frequency	Color temperature	Luminous flux	Beam angle	Length	Width	Height	Product weight	Diameter	Body material
ENDURA STYLE Lantern Modern 12 W DG	11.50 W	220...240 V	50/60 Hz	3000 K	610 lm	210.00 °	176.0 mm	110.0 mm	240.0 mm	1300.00 g		Aluminum
ENDURA STYLE Lantern Modern 500 12 W DG	11.50 W	220...240 V	50/60 Hz	3000 K	610 lm	210.00 °			500.0 mm	1900.00 g	110.0 mm	Aluminum
ENDURA STYLE Lantern Modern 900 12 W DG	11.50 W	220...240 V	50/60 Hz	3000 K	610 lm	210.00 °			900.0 mm	3100.00 g	110.0 mm	Aluminum

Product description	Housing color	Product color	Cover material	Temperatures & operating conditions	Lifespan	Capabilities		Certificates & standards
				Ambient temperature range	Number of switching cycles	Dimmable	Type of connection	Protection class
ENDURA STYLE Lantern Modern 12 W DG	Dark gray	Dark gray	Polycarbonate (PC)	-20...+40 °C	15000	No	Screw terminal	I
ENDURA STYLE Lantern Modern 500 12 W DG	Dark gray	Dark gray	Polycarbonate (PC)	-20...+40 °C	15000	No	Screw terminal	I
ENDURA STYLE Lantern Modern 900 12 W DG	Dark gray	Dark gray	Polycarbonate (PC)	-20...+40 °C	15000	No	Screw terminal	I

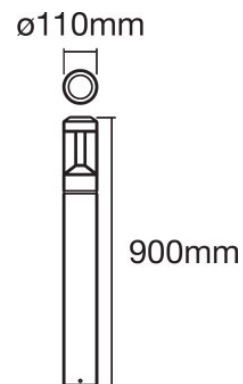
Product description	Type of protection
ENDURA STYLE Lantern Modern 12 W DG	IP44
ENDURA STYLE Lantern Modern 500 12 W DG	IP44
ENDURA STYLE Lantern Modern 900 12 W DG	IP44



ENDURA STYLE Lantern Modern 12 W DG



ENDURA STYLE Lantern Modern 500 12 W DG



ENDURA STYLE Lantern Modern 900 12 W DG

EQUIPMENT / ACCESSORIES

- Complete mounting and connecting accessories included

APPLICATION ADVICE

For more detailed application information and graphics please see product datasheet.

LOGISTICAL DATA

Product code	Packaging unit (Pieces/Unit)	Dimensions (length x width x height)	Gross weight	Volume
4058075205024	Shipping carton box 4	425 mm x 285 mm x 315 mm	5822.00 g	38.15 dm ³
4058075205048	Shipping carton box 2	405 mm x 205 mm x 555 mm	4618.00 g	46.08 dm ³

Product code	Packaging unit (Pieces/Unit)	Dimensions (length x width x height)	Gross weight	Volume
4058075205062	Shipping carton box 2	405 mm x 205 mm x 955 mm	7509.00 g	79.29 dm ³

The mentioned product code describes the smallest quantity unit which can be ordered. One shipping unit can contain one or more single products. When placing an order, for the quantity please enter single or multiples of a shipping unit.

DISCLAIMER

Subject to change without notice. Errors and omission excepted. Always make sure to use the most recent release.