

PRODUCT FAMILY DATASHEET

ENDURA STYLE SQUARE

Wall and ceiling luminaires with modern design in square shape



AREAS OF APPLICATION

- Outdoor use (IP44)
- Building facades
- Patios, balconies

PRODUCT BENEFITS

- Energy-efficient thanks to LED technology
- Easy and quick installation

PRODUCT FEATURES

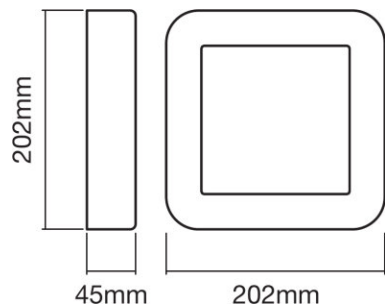
- Bright and functional outdoor LED luminaires
- Die-cast aluminum housing
- Available in two housing colors



TECHNICAL DATA

Product description	Electrical data			Photometrical data		Dimensions & weight				Colors & materials	
	Nominal wattage	Nominal voltage	Mains frequency	Color temperature	Luminous flux	Length	Width	Height	Product weight	Body material	Housing color
ENDURA STYLE Square SQ 13 W DG	13.00 W	220...240 V	50/60 Hz	3000 K	480 lm	202.0 mm	202.0 mm	45.0 mm	900.00 g	Aluminum	Dark gray
ENDURA STYLE Square SQ 13 W WT	13.00 W	220...240 V	50/60 Hz	3000 K	600 lm	202.0 mm	202.0 mm	45.0 mm	900.00 g	Aluminum	White

Product description	Product color	Cover material	Temperatures & operating conditions	Lifespan	Capabilities		Certificates & standards	
			Ambient temperature range	Number of switching cycles	Dimmable	Type of connection	Protection class	Type of protection
ENDURA STYLE Square SQ 13 W DG	Dark gray	Polycarbonate (PC)	-20...+40 °C	15000	No	Screw terminal	I	IP44
ENDURA STYLE Square SQ 13 W WT	White	Polycarbonate (PC)	-20...+40 °C	15000	No	Screw terminal	I	IP44



ENDURA STYLE Square SQ 13 W DG,
ENDURA STYLE Square SQ 13 W WT

EQUIPMENT / ACCESSORIES

- Complete mounting and connecting accessories included

APPLICATION ADVICE

For more detailed application information and graphics please see product datasheet.

LOGISTICAL DATA

Product code	Packaging unit (Pieces/Unit)	Dimensions (length x width x height)	Gross weight	Volume
4058075205260	Shipping carton box 6	470 mm x 255 mm x 215 mm	6034.00 g	25.77 dm ³
4058075205284	Shipping carton box 6	470 mm x 255 mm x 215 mm	6034.00 g	25.77 dm ³

The mentioned product code describes the smallest quantity unit which can be ordered. One shipping unit can contain one or more single products. When placing an order, for the quantity please enter single or multiples of a shipping unit.

DISCLAIMER

Subject to change without notice. Errors and omission excepted. Always make sure to use the most recent release.