

PRODUCT DATASHEET

ENDURA STYLE Wall Sensor 12 W WT

ENDURA STYLE WALL | Slim LED luminaires with high light output and optional sensor



AREAS OF APPLICATION

- Outdoor use (IP44)
- Entrance lighting
- Building facades

PRODUCT BENEFITS

- Energy-efficient thanks to LED technology
- Easy and quick installation

PRODUCT FEATURES

- Very bright and functional outdoor LED luminaires
- Die-cast aluminum housing
- Available in two housing colors
- Available with and without motion sensor



TECHNICAL DATA

Electrical data

Nominal wattage	12.20 W
Operating mode	Mains voltage
Nominal voltage	220...240 V
Mains frequency	50/60 Hz

Photometrical data

Color temperature	3000 K
Color rendering index Ra	>80
Light color (designation)	Warm White
Luminous flux	770 lm
Luminous efficacy	61 lm/W

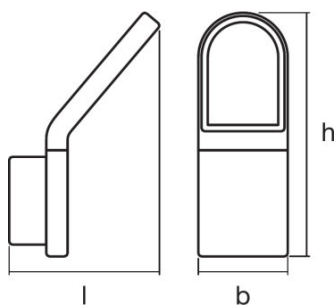
Light technical data

Beam angle	107.00 °
------------	----------

Luminaire sensor data

Type of sensor	Light / Motion
Sensor technology	Passive infrared (PIR)

Dimensions & weight



Length	168.0 mm
Width	100.0 mm
Height	273.0 mm
Product weight	1300.00 g

Colors & materials

Body material	Aluminum
---------------	----------

Product color	White
Housing color	White
Cover material	Glass

Temperatures & operating conditions

Ambient temperature range	-20...+40 °C
----------------------------------	--------------

Lifespan

Number of switching cycles	15000
-----------------------------------	-------

Additional product data

Mounting type	Surface
Mounting location	Wall

Capabilities

Dimmable	No
Type of connection	Screw terminal
LED module replaceable	Not replaceable

Certificates & standards

Protection class	I
Type of protection	IP44
Standards	CE/EAC/REACH/RoHS

EQUIPMENT / ACCESSORIES

– Complete mounting and connecting accessories included

LOGISTICAL DATA

Product code	Packaging unit (Pieces/Unit)	Dimensions (length x width x height)	Gross weight	Volume
4058075214194	Folding carton box 1	134 mm x 204 mm x 296 mm	1370.00 g	8.09 dm ³
4058075214200	Shipping carton box 4	425 mm x 285 mm x 315 mm	5822.00 g	38.15 dm ³

The mentioned product code describes the smallest quantity unit which can be ordered. One shipping unit can contain one or more single products. When placing an order, for the quantity please enter single or multiples of a shipping unit.

DISCLAIMER

Subject to change without notice. Errors and omission excepted. Always make sure to use the most recent release.