

# PRODUCT DATASHEET

## ENDURA STYLE Wall Sensor 12 W DG

ENDURA STYLE WALL | Slim LED luminaires with high light output and optional sensor



---

### AREAS OF APPLICATION

- Outdoor use (IP44)
- Entrance lighting
- Building facades

---

### PRODUCT BENEFITS

- Energy-efficient thanks to LED technology
- Easy and quick installation

---

### PRODUCT FEATURES

- Very bright and functional outdoor LED luminaires
- Die-cast aluminum housing
- Available in two housing colors
- Available with and without motion sensor



**TECHNICAL DATA**

Electrical data

<b>Nominal wattage</b>	12.20 W
<b>Operating mode</b>	Mains voltage
<b>Nominal voltage</b>	220...240 V
<b>Mains frequency</b>	50/60 Hz

Photometrical data

<b>Color temperature</b>	3000 K
<b>Color rendering index Ra</b>	>80
<b>Light color (designation)</b>	Warm White
<b>Luminous flux</b>	740 lm
<b>Luminous efficacy</b>	61 lm/W

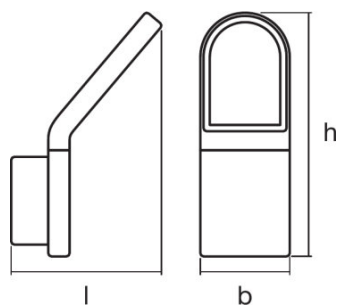
Light technical data

<b>Beam angle</b>	107.00 °
-------------------	----------

Luminaire sensor data

<b>Type of sensor</b>	Light / Motion
<b>Sensor technology</b>	Passive infrared (PIR)

Dimensions & weight



<b>Length</b>	168.0 mm
<b>Width</b>	100.0 mm
<b>Height</b>	273.0 mm
<b>Product weight</b>	1300.00 g

Colors & materials

<b>Body material</b>	Aluminum
----------------------	----------

<b>Product color</b>	Dark gray
<b>Housing color</b>	Dark gray
<b>Cover material</b>	Glass

#### Temperatures & operating conditions

<b>Ambient temperature range</b>	-20...+40 °C
----------------------------------	--------------

#### Lifespan

<b>Number of switching cycles</b>	15000
-----------------------------------	-------

#### Additional product data

<b>Mounting type</b>	Surface
<b>Mounting location</b>	Wall

#### Capabilities

<b>Dimmable</b>	No
<b>Type of connection</b>	Screw terminal
<b>LED module replaceable</b>	Not replaceable

#### Certificates & standards

<b>Protection class</b>	I
<b>Type of protection</b>	IP44
<b>Standards</b>	CE/EAC/REACH/RoHS

#### EQUIPMENT / ACCESSORIES

– Complete mounting and connecting accessories included

#### LOGISTICAL DATA

Product code	Packaging unit (Pieces/Unit)	Dimensions (length x width x height)	Gross weight	Volume
4058075214170	Folding carton box 1	134 mm x 204 mm x 296 mm	1370.00 g	8.09 dm <sup>3</sup>
4058075214187	Shipping carton box 4	425 mm x 285 mm x 315 mm	5822.00 g	38.15 dm <sup>3</sup>

The mentioned product code describes the smallest quantity unit which can be ordered. One shipping unit can contain one or more single products. When placing an order, for the quantity please enter single or multiples of a shipping unit.

#### DISCLAIMER

Subject to change without notice. Errors and omission excepted. Always make sure to use the most recent release.