

# PRODUCT FAMILY DATASHEET

## ENDURA STYLE CYLINDER

Stainless steel wall-luminaires and bollards with indirect illumination



---

### AREAS OF APPLICATION

- Outdoor use (IP44)
- Building facades
- Gardens, balconies and other outdoor areas
- Pathway lighting
- Driveways

---

### PRODUCT BENEFITS

- Energy-efficient thanks to LED technology
- Easy and quick installation

---

### PRODUCT FEATURES

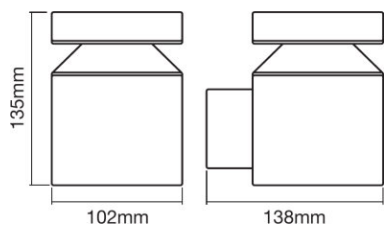
- Bright and functional outdoor LED luminaires
- Housing made of Polycarbonate covered with stainless steel
- Available as wall, ceiling and bollard luminaires



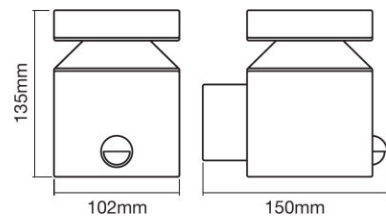
TECHNICAL DATA

Product description	Electrical data			Photometrical data		Dimensions & weight				Colors & materials	
	Nominal wattage	Nominal voltage	Mains frequency	Color temperature	Luminous flux	Length	Width	Height	Product weight	Diameter	Body material
ENDURA STYLE Cylinder Wall 6 W ST	6.00 W	220...240 V	50/60 Hz	3000 K	360 lm	138.0 mm	102.0 mm	135.0 mm	470.00 g		Stainless steel
ENDURA STYLE Cylinder Wall Sensor 6 W ST	6.00 W	220...240 V	50/60 Hz	3000 K	360 lm	150.0 mm	102.0 mm	135.0 mm	500.00 g		Stainless steel
ENDURA STYLE Cylinder 500 6 W ST	6.00 W	220...240 V	50/60 Hz	3000 K	360 lm			500.0 mm	900.00 g	102.0 mm	Stainless steel
ENDURA STYLE Cylinder 800 6 W ST	6.00 W	220...240 V	50/60 Hz	3000 K	360 lm			800.0 mm	1500.00 g	102.0 mm	Stainless steel
ENDURA STYLE Cylinder Ceiling 6 W ST	6.00 W	220...240 V	50/60 Hz	3000 K	360 lm			87.0 mm	270.00 g	102.0 mm	Stainless steel

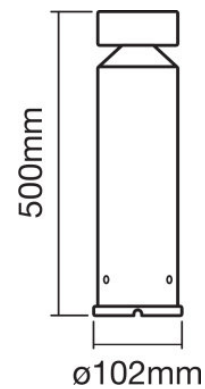
Product description	Housing color	Product color	Cover material	Temperatures & operating conditions	Lifespan	Capabilities		Certificates & standards	
				Ambient temperature range	Number of switching cycles	Dimmable	Type of connection	Protection class	Type of protection
ENDURA STYLE Cylinder Wall 6 W ST	Steel	Steel	Polycarbonate (PC)	-20...+40 °C	15000	No	Screw terminal	II	IP44
ENDURA STYLE Cylinder Wall Sensor 6 W ST	Steel	Steel	Polycarbonate (PC)	-20...+40 °C	15000	No	Screw terminal	II	IP44
ENDURA STYLE Cylinder 500 6 W ST	Steel	Steel	Polycarbonate (PC)	-20...+40 °C	15000	No	Screw terminal	II	IP44
ENDURA STYLE Cylinder 800 6 W ST	Steel	Steel	Polycarbonate (PC)	-20...+40 °C	15000	No	Screw terminal	II	IP44
ENDURA STYLE Cylinder Ceiling 6 W ST	Steel	Steel	Polycarbonate (PC)	-20...+40 °C	15000	No	Screw terminal	II	IP44



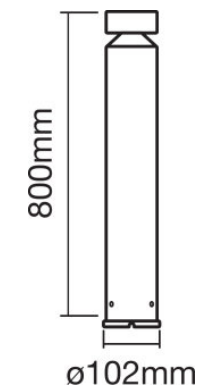
ENDURA STYLE Cylinder Wall 6 W ST



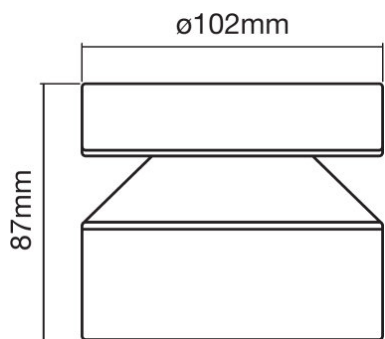
ENDURA STYLE Cylinder Wall Sensor 6 W ST



ENDURA STYLE Cylinder 500 6 W ST



ENDURA STYLE Cylinder 800 6 W ST



ENDURA STYLE Cylinder Ceiling 6 W ST

---

**EQUIPMENT / ACCESSORIES**

- Complete mounting and connecting accessories included

---

**APPLICATION ADVICE**

For more detailed application information and graphics please see product datasheet.

---

**LOGISTICAL DATA**

Product code	Packaging unit (Pieces/Unit)	Dimensions (length x width x height)	Gross weight	Volume
4058075205345	Shipping carton box 6	380 mm x 175 mm x 320 mm	3291.00 g	21.28 dm <sup>3</sup>
4058075205369	Shipping carton box 6	380 mm x 175 mm x 320 mm	3471.00 g	21.28 dm <sup>3</sup>
4058075205383	Shipping carton box 2	535 mm x 125 mm x 240 mm	2483.00 g	16.05 dm <sup>3</sup>
4058075205406	Shipping carton box 2	835 mm x 125 mm x 240 mm	3921.00 g	25.05 dm <sup>3</sup>
4058075205420	Shipping carton box 6	380 mm x 175 mm x 320 mm	2091.00 g	21.28 dm <sup>3</sup>

The mentioned product code describes the smallest quantity unit which can be ordered. One shipping unit can contain one or more single products. When placing an order, for the quantity please enter single or multiples of a shipping unit.

---

**DISCLAIMER**

Subject to change without notice. Errors and omission excepted. Always make sure to use the most recent release.