

# PRODUCT FAMILY DATASHEET

## ENDURA STYLE WIDE

Luminaires with classic shape and modern technology



---

### AREAS OF APPLICATION

- Outdoor use (IP44)
- Building facades
- Entrance lighting

---

### PRODUCT BENEFITS

- Energy-efficient thanks to LED technology
- Easy and quick installation

---

### PRODUCT FEATURES

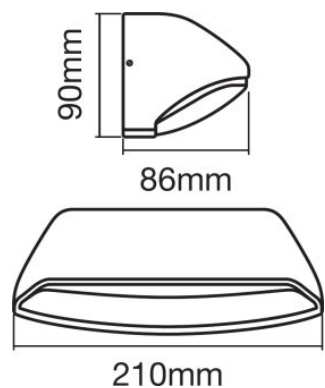
- Bright and functional outdoor LED luminaires
- Die-cast aluminum housing
- Available in two housing colors



TECHNICAL DATA

Product description	Electrical data			Photometrical data		Dimensions & weight				Colors & materials	
	Nominal wattage	Nominal voltage	Mains frequency	Color temperature	Luminous flux	Length	Width	Height	Product weight	Body material	Housing color
ENDURA STYLE Wide 12 W DG	12.00 W	220...240 V	50/60 Hz	3000 K	530 lm	86.0 mm	210.0 mm	90.0 mm	560.00 g	Aluminum	Dark gray
ENDURA STYLE Wide 12 W WT	12.00 W	220...240 V	50/60 Hz	3000 K	530 lm	86.0 mm	210.0 mm	90.0 mm	560.00 g	Aluminum	White

Product description	Product color	Cover material	Temperatures & operating conditions	Lifespan	Capabilities		Certificates & standards	
			Ambient temperature range	Number of switching cycles	Dimmable	Type of connection	Protection class	Type of protection
ENDURA STYLE Wide 12 W DG	Dark gray	Polycarbonate (PC)	-20...+40 °C	15000	No	Screw terminal	I	IP44
ENDURA STYLE Wide 12 W WT	White	Polycarbonate (PC)	-20...+40 °C	15000	No	Screw terminal	I	IP44



ENDURA STYLE Wide 12 W DG, ENDURA STYLE Wide 12 W WT

EQUIPMENT / ACCESSORIES

- Complete mounting and connecting accessories included

---

#### APPLICATION ADVICE

For more detailed application information and graphics please see product datasheet.

---

#### LOGISTICAL DATA

Product code	Packaging unit (Pieces/Unit)	Dimensions (length x width x height)	Gross weight	Volume
4058075214026	Shipping carton box 6	320 mm x 310 mm x 365 mm	4784.00 g	36.21 dm <sup>3</sup>
4058075214040	Shipping carton box 6	320 mm x 310 mm x 365 mm	4784.00 g	36.21 dm <sup>3</sup>

The mentioned product code describes the smallest quantity unit which can be ordered. One shipping unit can contain one or more single products. When placing an order, for the quantity please enter single or multiples of a shipping unit.

---

#### DISCLAIMER

Subject to change without notice. Errors and omission excepted. Always make sure to use the most recent release.