

PRODUCT FAMILY DATASHEET

ENDURA STYLE SPOT ROUND

Luminaires with rotatable head and directional light



AREAS OF APPLICATION

- Outdoor use (IP44)
- Building facades
- Entrance lighting
- Patios, balconies

PRODUCT BENEFITS

- Energy-efficient thanks to LED technology
- Easy and quick installation

PRODUCT FEATURES

- Bright and functional outdoor LED luminaires
- Die-cast aluminum housing
- Available in two housing colors
- Adjustable modules: rotation angle 320°

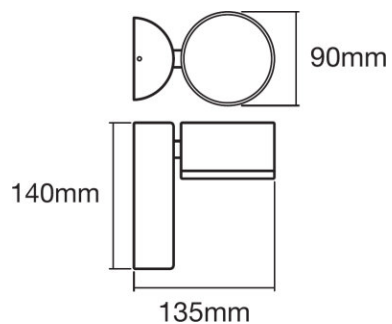


TECHNICAL DATA

Product description	Electrical data			Photometrical data		Light technical data	Dimensions & weight				Colors & materials
	Nominal wattage	Nominal voltage	Mains frequency	Color temperature	Luminous flux	Beam angle	Length	Width	Height	Product weight	Body material
ENDURA STYLE Spot Round 8 W DG	8.00 W	220...240 V	50/60 Hz	3000 K	440 lm	110 °	135.0 mm	90.0 mm	140.0 mm	600.00 g	Aluminum
ENDURA STYLE Spot Round 8 W WT	8.00 W	220...240 V	50/60 Hz	3000 K	460 lm	110 °	135.0 mm	90.0 mm	140.0 mm	600.00 g	Aluminum

Product description	Housing color	Product color	Cover material	Temperatures & operating conditions	Lifespan		Capabilities		Certificates & standards
				Ambient temperature range	Number of switching cycles	Lifespan	Dimmable	Type of connection	Protection class
ENDURA STYLE Spot Round 8 W DG	Dark gray	Dark gray	Polycarbonate (PC)	-20...+40 °C	15000	30000 h	No	Screw terminal	I
ENDURA STYLE Spot Round 8 W WT	White	White	Polycarbonate (PC)	-20...+40 °C	15000	30000 h	No	Screw terminal	I

Product description	Type of protection
ENDURA STYLE Spot Round 8 W DG	IP44
ENDURA STYLE Spot Round 8 W WT	IP44



ENDURA STYLE Spot Round 8 W DG,
ENDURA STYLE Spot Round 8 W WT

EQUIPMENT / ACCESSORIES

- Complete mounting and connecting accessories included

APPLICATION ADVICE

For more detailed application information and graphics please see product datasheet.

LOGISTICAL DATA

Product code	Packaging unit (Pieces/Unit)	Dimensions (length x width x height)	Gross weight	Volume
4058075214101	Shipping carton box 6	385 mm x 170 mm x 355 mm	4072.00 g	23.23 dm ³
4058075214125	Shipping carton box 6	385 mm x 170 mm x 355 mm	4072.00 g	23.23 dm ³

Product code	Packaging unit (Pieces/Unit)	Dimensions (length x width x height)	Gross weight	Volume
--------------	------------------------------	--------------------------------------	--------------	--------

The mentioned product code describes the smallest quantity unit which can be ordered. One shipping unit can contain one or more single products. When placing an order, for the quantity please enter single or multiples of a shipping unit.

DISCLAIMER

Subject to change without notice. Errors and omission excepted. Always make sure to use the most recent release.