

PRODUCT FAMILY DATASHEET

ENDURA STYLE ELLIPSE

Decorative and very bright luminaires



AREAS OF APPLICATION

- Outdoor use (IP44)
- Gardens, balconies and other outdoor areas
- Building facades
- Pathway lighting
- Driveways

PRODUCT BENEFITS

- Energy-efficient thanks to LED technology
- Easy and quick installation

PRODUCT FEATURES

- Very bright and functional outdoor LED luminaires
- Die-cast aluminum housing
- Available as wall and bollard luminaires

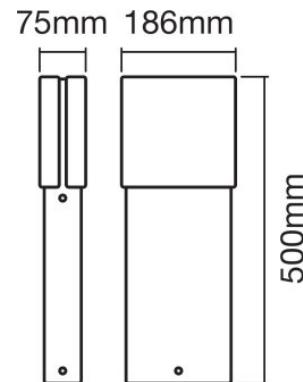
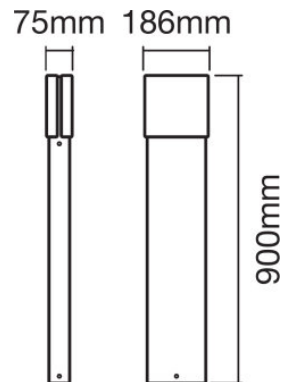
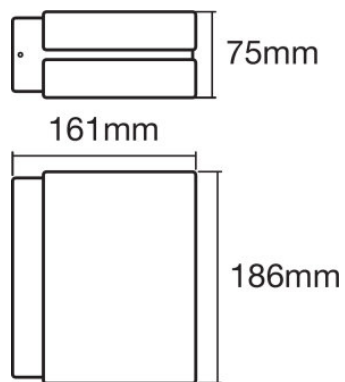


TECHNICAL DATA

| Product description | Electrical data | | | Photometrical data | | Light technical data | Dimensions & weight | | | | Colors & materials |
|----------------------------------|-----------------|-----------------|-----------------|--------------------|---------------|----------------------|---------------------|----------|----------|----------------|--------------------|
| | Nominal wattage | Nominal voltage | Mains frequency | Color temperature | Luminous flux | Beam angle | Length | Width | Height | Product weight | Body material |
| ENDURA STYLE Ellipse 13 W DG | 12.50 W | 220...240 V | 50/60 Hz | 3000 K | 890 lm | 122.00 ° | 161.0 mm | 186.0 mm | 75.0 mm | 1000.00 g | Aluminum |
| ENDURA STYLE Ellipse 900 13 W DG | 12.50 W | 220...240 V | 50/60 Hz | 3000 K | 890 lm | 122.00 ° | 75.0 mm | 186.0 mm | 900.0 mm | 3500.00 g | Aluminum |
| ENDURA STYLE Ellipse 500 13 W DG | 12.50 W | 220...240 V | 50/60 Hz | 3000 K | 890 lm | 122.00 ° | 75.0 mm | 186.0 mm | 500.0 mm | 2000.00 g | Aluminum |

| Product description | Housing color | Product color | Cover material | Temperatures & operating conditions | Lifespan | | Capabilities | |
|----------------------------------|---------------|---------------|--------------------|-------------------------------------|----------------------------|----------|--------------|--------------------|
| | | | | Ambient temperature range | Number of switching cycles | Lifespan | Dimmable | Type of connection |
| ENDURA STYLE Ellipse 13 W DG | Dark gray | Dark gray | Polycarbonate (PC) | -20...+40 °C | 15000 | 30000 h | No | Screw terminal |
| ENDURA STYLE Ellipse 900 13 W DG | Dark gray | Dark gray | Polycarbonate (PC) | -20...+40 °C | 15000 | 30000 h | No | Screw terminal |
| ENDURA STYLE Ellipse 500 13 W DG | Dark gray | Dark gray | Polycarbonate (PC) | -20...+40 °C | 15000 | 30000 h | No | Screw terminal |

| Product description | Certificates & standards | |
|----------------------------------|--------------------------|--------------------|
| | Protection class | Type of protection |
| ENDURA STYLE Ellipse 13 W DG | I | IP44 |
| ENDURA STYLE Ellipse 900 13 W DG | I | IP44 |
| ENDURA STYLE Ellipse 500 13 W DG | I | IP44 |



ENDURA STYLE Ellipse 13 W DG

ENDURA STYLE Ellipse 900 13 W DG

ENDURA STYLE Ellipse 500 13 W DG

EQUIPMENT / ACCESSORIES

- Complete mounting and connecting accessories included

APPLICATION ADVICE

For more detailed application information and graphics please see product datasheet.

LOGISTICAL DATA

| Product code | Packaging unit (Pieces/Unit) | Dimensions (length x width x height) | Gross weight | Volume |
|---------------|------------------------------|--------------------------------------|--------------|-----------------------|
| 4058075205086 | Shipping carton box 4 | 390 mm x 240 mm x 210 mm | 4414.00 g | 19.66 dm ³ |
| 4058075205123 | Shipping carton box 2 | 205 mm x 185 mm x 940 mm | 7710.00 g | 35.65 dm ³ |
| 4058075205109 | Shipping carton box 2 | 205 mm x 185 mm x 540 mm | 4597.00 g | 20.48 dm ³ |

| Product code | Packaging unit (Pieces/Unit) | Dimensions (length x width x height) | Gross weight | Volume |
|--------------|------------------------------|--------------------------------------|--------------|--------|
|--------------|------------------------------|--------------------------------------|--------------|--------|

The mentioned product code describes the smallest quantity unit which can be ordered. One shipping unit can contain one or more single products. When placing an order, for the quantity please enter single or multiples of a shipping unit.

DISCLAIMER

Subject to change without notice. Errors and omission excepted. Always make sure to use the most recent release.