

PRODUCT FAMILY DATASHEET

LED Strip Performance Connectors

Connector for LED strips

AREAS OF APPLICATION

- General indoor illumination



PRODUCT BENEFITS

- Easy installation of connector, no manual wiring required
- Tool-free installation

TECHNICAL DATA

Electrical data

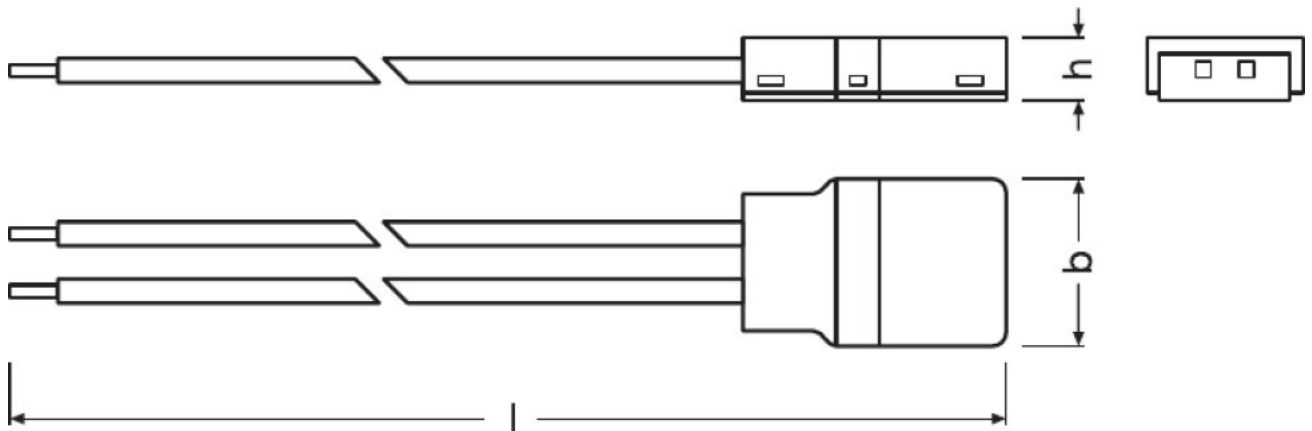
Product description	Nominal current	Nominal voltage
LS AY PFM -CP/P2/500/P	5 A	0...36 V
LS AY PFM -CP/P2/500	5 A	0...36 V
LS AY PFM -CSD/P2	5 A	0...36 V
LS AY PFM -CSW/P2/50	5 A	0...36 V
LS AY PFM -10/SE/P SIL-SEAL		
LS AY PFM -CSD/P2/P	5 A	0...36 V
LS AY PFM -CSW/P2/50/P	5 A	0...36 V
LS AY PFM -10/SMB		
LS AY PFM -12/SE/P SIL-SEAL		
LS AY PFM -8/SMB		

Dimensions & weight

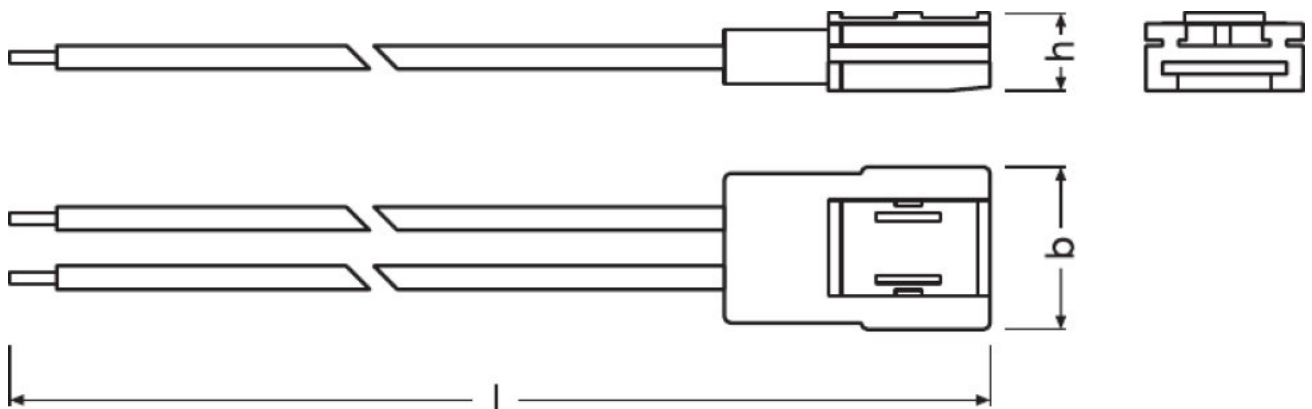
Product description	Product weight	Length	Height	Width	Cable length
LS AY PFM -CP/P2/500/P	11.00 g	552.0 mm	7.0 mm	15.0 mm	500 mm
LS AY PFM -CP/P2/500	9.50 g	532.0 mm	4.5 mm	10.4 mm	500 mm
LS AY PFM -CSD/P2	1.50 g	20.6 mm	4.5 mm	11.0 mm	- mm
LS AY PFM -CSW/P2/50	4.00 g	66.0 mm	4.5 mm	10.4 mm	50 mm
LS AY PFM -10/SE/P SIL-SEAL	3.00 g	12.0 mm	10.0 mm	6.5 mm	
LS AY PFM -CSD/P2/P	3.00 g	27.0 mm	7.0 mm	15.0 mm	
LS AY PFM -CSW/P2/50/P	7.00 g	102.0 mm	7.0 mm	15.0 mm	50 mm
LS AY PFM -10/SMB	0.30 g	27.5 mm	5.2 mm	6.0 mm	
LS AY PFM -12/SE/P SIL-SEAL	3.20 g	10.0 mm	6.5 mm	14.0 mm	
LS AY PFM -8/SMB	0.30 g	25.5 mm	5.2 mm	6.0 mm	

Product description	Cable diameter
LS AY PFM -CP/P2/500/P	1.5...2.1 mm
LS AY PFM -CP/P2/500	1.5...2.1 mm
LS AY PFM -CSD/P2	
LS AY PFM -CSW/P2/50	1.5...2.1 mm
LS AY PFM -10/SE/P SIL-SEAL	
LS AY PFM -CSD/P2/P	
LS AY PFM -CSW/P2/50/P	1.5...2.1 mm
LS AY PFM -10/SMB	
LS AY PFM -12/SE/P SIL-SEAL	
LS AY PFM -8/SMB	

Product line drawing

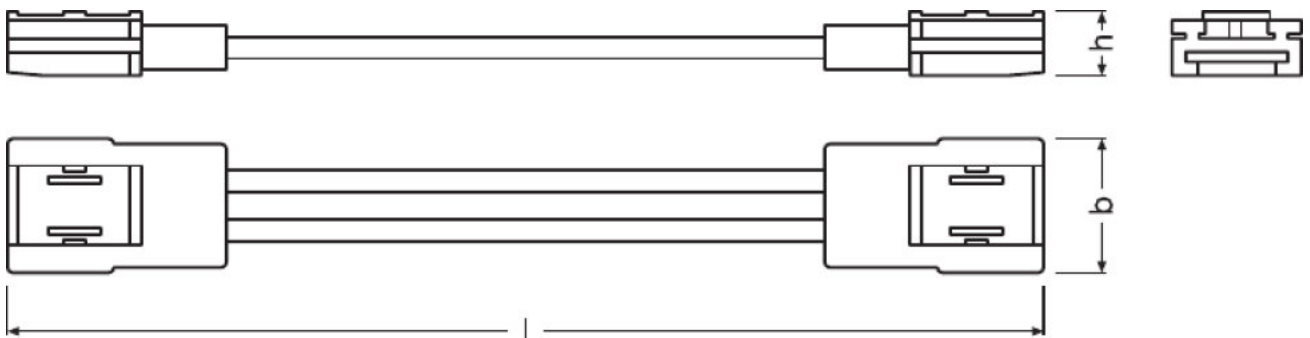


LS AY PFM -CP/P2/500/P

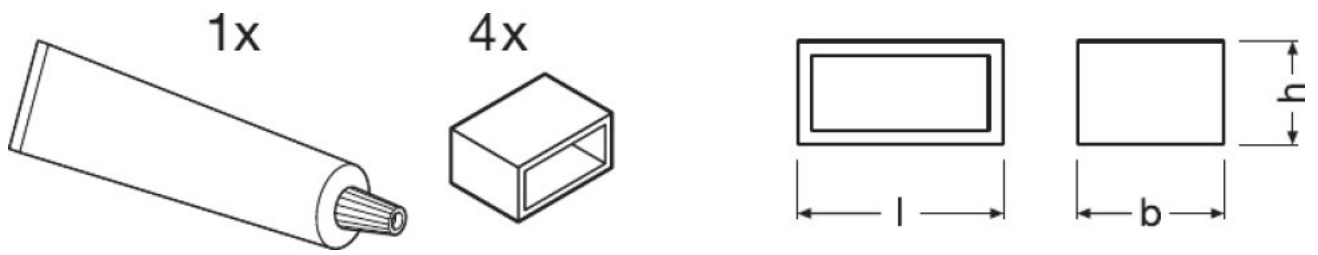


LS AY PFM -CP/P2/500

LS AY PFM -CSD/P2

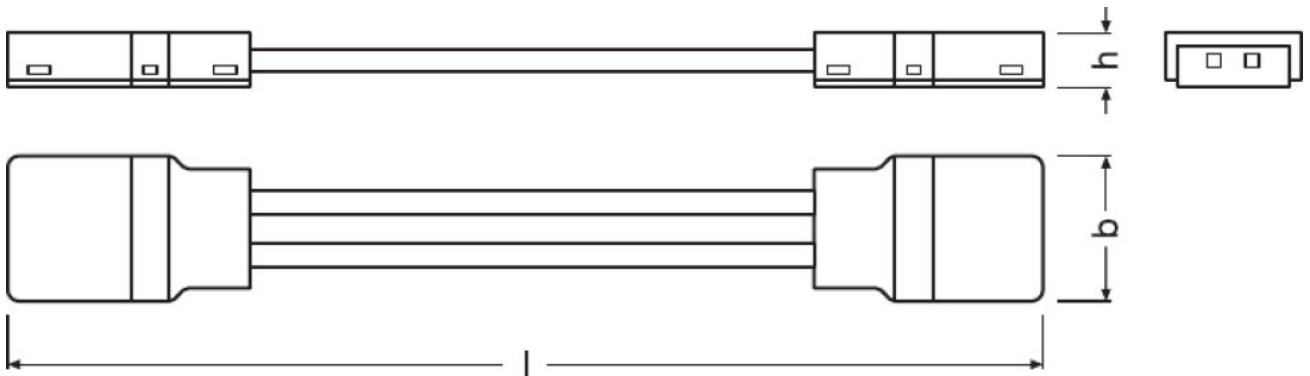


LS AY PFM -CSW/P2/50

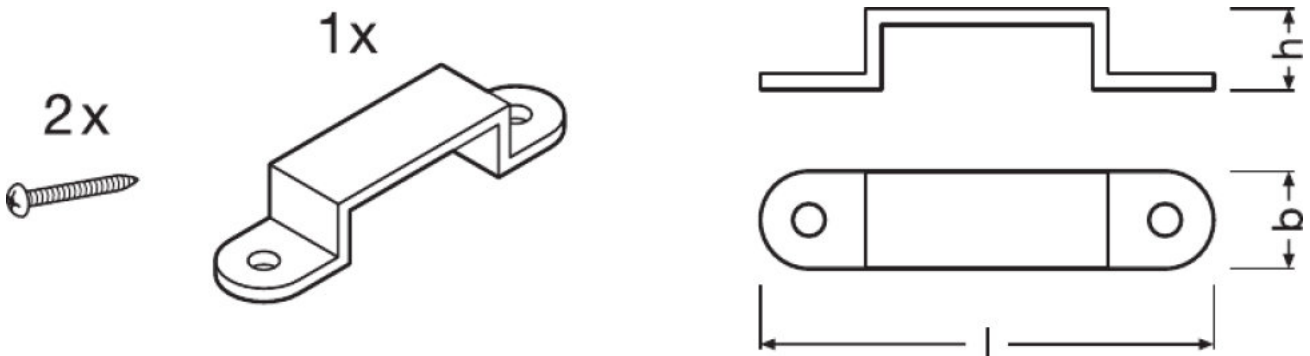


LS AY PFM -10/SE/P SIL-SEAL, LS AY PFM -12/SE/P SIL-SEAL

LS AY PFM -CSD/P2/P



LS AY PFM -CSW/P2/50/P



LS AY PFM -10/SMB, LS AY PFM -8/SMB

Additional product data

Product description	Content – equipment	Number of PINs
LS AY PFM -CP/P2/500/P	2 pcs	2
LS AY PFM -CP/P2/500	2 pcs	2
LS AY PFM -CSD/P2	2 pcs	2
LS AY PFM -CSW/P2/50	2 pcs	2
LS AY PFM -10/SE/P SIL-SEAL	4 + 1 pcs	
LS AY PFM -CSD/P2/P	2 pcs	2
LS AY PFM -CSW/P2/50/P	2 pcs	2
LS AY PFM -10/SMB	2 pcs	
LS AY PFM -12/SE/P SIL-SEAL	4 + 1 pcs	
LS AY PFM -8/SMB	2 pcs	

APPLICATION ADVICE

For more detailed application information and graphics please see product datasheet.

SALES AND TECHNICAL SUPPORT

Sales and Technical Support www.ledvance.com

COUNTRY SPECIFIC INFORMATION

Product description	Product code	METEL-Code	SEG number	STK number	UK Org
LS AY PFM - CP/P2/500/P	4058075272958	-	7507137	4266631	-
LS AY PFM - CP/P2/500	4058075272200	-	7507134	4266630	-
LS AY PFM -CSD/P2	4058075275393	-	7507135	4266632	-
LS AY PFM - CSW/P2/50	4058075272231	-	7507136	4266634	-
LS AY PFM -10/SE/P SIL-SEAL	4058075275744	-	7507140	4266636	-
LS AY PFM -CSD/P2/P	4058075275485	-	7507138	4266633	-
LS AY PFM - CSW/P2/50/P	4058075273245	-	7507139	4266635	-
LS AY PFM -10/SMB	4058075275676	-	7507143	4266639	-
LS AY PFM -12/SE/P SIL-SEAL	4058075273382	-	7507141	4266637	-
LS AY PFM -8/SMB	4058075275645	-	7507142	4266638	-

LOGISTICAL DATA

Product code	Packaging unit (Pieces/Unit)	Dimensions (length x width x height)	Gross weight	Volume
4058075272965	Shipping carton box 100	180 mm x 100 mm x 180 mm	1229.00 g	3.24 dm ³
4058075272217	Shipping carton box 100	180 mm x 100 mm x 180 mm	1079.00 g	3.24 dm ³
4058075275409	Shipping carton box 100	120 mm x 100 mm x 120 mm	172.00 g	1.44 dm ³
4058075272248	Shipping carton box 100	180 mm x 100 mm x 180 mm	529.00 g	3.24 dm ³
4058075275751	Shipping carton box 200	180 mm x 100 mm x 180 mm	729.00 g	3.24 dm ³
4058075275492	Shipping carton box 100	120 mm x 100 mm x 120 mm	398.00 g	1.44 dm ³
4058075273252	Shipping carton box 100	180 mm x 100 mm x 180 mm	829.00 g	3.24 dm ³
4058075275683	Shipping carton box 100	120 mm x 100 mm x 120 mm	128.00 g	1.44 dm ³
4058075273399	Shipping carton box 200	180 mm x 100 mm x 180 mm	769.00 g	3.24 dm ³
4058075275652	Shipping carton box 100	120 mm x 100 mm x 120 mm	128.00 g	1.44 dm ³

The mentioned product code describes the smallest quantity unit which can be ordered. One shipping unit can contain one or more single products. When placing an order, for the quantity please enter single or multiples of a shipping unit.

DISCLAIMER

Subject to change without notice. Errors and omission excepted. Always make sure to use the most recent release.