

PRODUCT FAMILY DATASHEET

Vintage 1906 Bubble

Indoor glass luminaires, vintage style, E27 socket, round shaped lamp shade



AREAS OF APPLICATION

- Living areas (living rooms, dining rooms, bedrooms etc.)
- Bars, restaurants

PRODUCT BENEFITS

- Adjustable appearance thanks to use of separate available E27 lamp shades
- Easy and quick installation

PRODUCT FEATURES

- Glass luminaires with a round shaped lamp shade
- Special vintage appearance when combined with 1906 LED or halogen lamps
- Luminaire family for various application areas
- Available in various colors

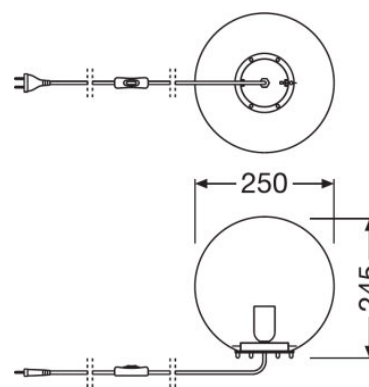
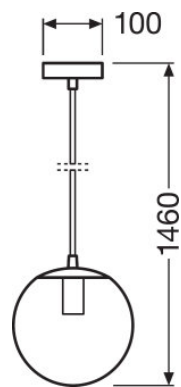
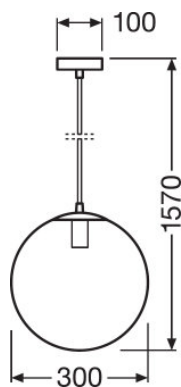


TECHNICAL DATA

Product description	Electrical data		Dimensions & weight				Colors & materials				Temperatures & operating conditions
	Nominal voltage	Mains frequency	Width	Diameter	Height	Product weight	Body material	Product color	Housing color	Cover material	Ambient temperature range
1906 BUBBLE PENDANT 300x1570 Glass Smoke	220...240 V	50/60 Hz	100.0 mm	300.0 mm	1570 mm	1400.00 g	Glass	Smoke-grey	Smoke-grey	Glass	-20...+40 °C
1906 BUBBLE PENDANT 300x1570 Glass Orange	220...240 V	50/60 Hz	100.0 mm	300.0 mm	1570 mm	1400.00 g	Glass	Orange	Orange	Glass	-20...+40 °C
1906 BUBBLE PENDANT 200x1460 Glass Smoke	220...240 V	50/60 Hz	100.0 mm	200.0 mm	1460 mm	800.00 g	Glass	Smoke-grey	Smoke-grey	Glass	-20...+40 °C
1906 BUBBLE PENDANT 200x1460 Glass Orange	220...240 V	50/60 Hz	100.0 mm	200.0 mm	1460 mm	800.00 g	Glass	Orange	Orange	Glass	-20...+40 °C
1906 BUBBLE TABLE 250x245 Glass Smoke	220...240 V	50/60 Hz		250.0 mm	245.0 mm	800.00 g	Glass	Smoke-grey	Smoke-grey	Glass	-20...+40 °C
1906 BUBBLE TABLE 250x245 Glass Orange	220...240 V	50/60 Hz		250.0 mm	245.0 mm	800.00 g	Glass	Orange	Orange	Glass	-20...+40 °C
1906 BUBBLE TABLE 250x245 Glass Pink	220...240 V	50/60 Hz		250.0 mm	245.0 mm	800.00 g	Glass	Pink	Pink	Glass	-20...+40 °C
1906 BUBBLE TABLE 250x245 Glass Green	220...240 V	50/60 Hz		250.0 mm	245.0 mm	800.00 g	Glass	Green	Green	Glass	-20...+40 °C

Product description	Additional product data	Capabilities			Certificates & standards	
	Equipped with lamp	Dimmable	Type of connection	Holder designation	Protection class	Type of protection
1906 BUBBLE PENDANT 300x1570 Glass Smoke	No	No	Screw terminal	E27	I	IP20
1906 BUBBLE PENDANT 300x1570 Glass Orange	No	No	Screw terminal	E27	I	IP20
1906 BUBBLE PENDANT 200x1460 Glass Smoke	No	No	Screw terminal	E27	I	IP20
1906 BUBBLE PENDANT 200x1460 Glass Orange	No	No	Screw terminal	E27	I	IP20

Product description	Additional product data	Capabilities			Certificates & standards	
	Equipped with lamp	Dimmable	Type of connection	Holder designation	Protection class	Type of protection
1906 BUBBLE TABLE 250x245 Glass Smoke	No	No	Plug, EU	E27	II	IP20
1906 BUBBLE TABLE 250x245 Glass Orange	No	No	Plug, EU	E27	II	IP20
1906 BUBBLE TABLE 250x245 Glass Pink	No	No	Plug, EU	E27	II	IP20
1906 BUBBLE TABLE 250x245 Glass Green	No	No	Plug, EU	E27	II	IP20



1906 BUBBLE PENDANT 300x1570 Glass Smoke, 1906 BUBBLE PENDANT 300x1570 Glass Orange

1906 BUBBLE PENDANT 200x1460 Glass Smoke, 1906 BUBBLE PENDANT 200x1460 Glass Orange

1906 BUBBLE TABLE 250x245 Glass Smoke, 1906 BUBBLE TABLE 250x245 Glass Orange, 1906 BUBBLE TABLE 250x245 Glass Pink, 1906 BUBBLE TABLE 250x245 Glass Green

EQUIPMENT / ACCESSORIES

- No light sources included
- Complete mounting and connecting accessories included

APPLICATION ADVICE

For more detailed application information and graphics please see product datasheet.

LOGISTICAL DATA

Product code	Packaging unit (Pieces/Unit)	Dimensions (length x width x height)	Gross weight	Volume
4058075217379	Shipping carton box 4	760 mm x 410 mm x 760 mm	9864.00 g	236.82 dm ³
4058075217393	Shipping carton box 4	760 mm x 410 mm x 760 mm	9864.00 g	236.82 dm ³
4058075217416	Shipping carton box 6	800 mm x 540 mm x 380 mm	8133.00 g	164.16 dm ³
4058075217430	Shipping carton box 6	800 mm x 540 mm x 380 mm	9282.00 g	164.16 dm ³
4058075217454	Shipping carton box 4	590 mm x 590 mm x 320 mm	5950.00 g	111.39 dm ³
4058075217478	Shipping carton box 4	590 mm x 590 mm x 320 mm	6050.00 g	111.39 dm ³
4058075217492	Shipping carton box 4	590 mm x 590 mm x 320 mm	5950.00 g	111.39 dm ³
4058075217515	Shipping carton box 4	590 mm x 590 mm x 320 mm	6080.00 g	111.39 dm ³

The mentioned product code describes the smallest quantity unit which can be ordered. One shipping unit can contain one or more single products. When placing an order, for the quantity please enter single or multiples of a shipping unit.

DISCLAIMER

Subject to change without notice. Errors and omission excepted. Always make sure to use the most recent release.