

PRODUCT FAMILY DATASHEET

TIBEA CEILING E27

Indoor luminaires, E27 socket



AREAS OF APPLICATION

- General illumination
- Living areas (living rooms, dining rooms, bedrooms etc.)
- Professional (hotels, bars, boutiques etc.)
- Suitable for lamps with E27 base

PRODUCT BENEFITS

- Stylish and modern design
- Easy to install and use
- High flexibility in the choice of the light source thanks to E27 base

PRODUCT FEATURES

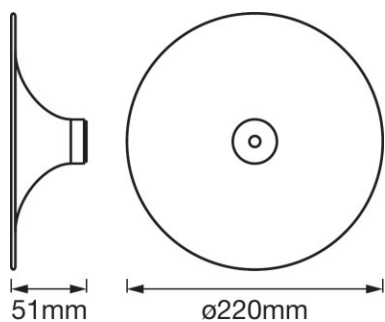
- Retro design
- As ceiling, pendant and mini type-version available



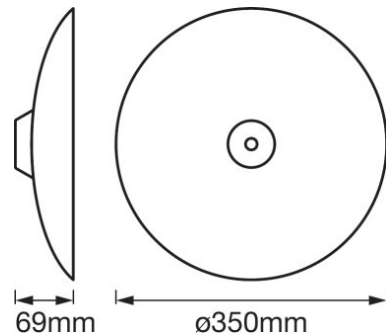
TECHNICAL DATA

Product description	Dimensions & weight		Colors & materials			Temperatures & operating conditions	Certificates & standards	
	Height	Diameter	Product color	Body material	Housing color	Ambient temperature range	Type of protection	Standards
SMART+ TIBEA MINI	51.0 mm	220.0 mm	White	Aluminum	White	-20...+40 °C	IP20	CE
SMART+ TIBEA Pendant	69.0 mm	350.0 mm	White	Aluminum	White	-20...+40 °C	IP20	CE
SMART+ TIBEA Ceiling	51.0 mm	500.0 mm	White	Aluminum	White	-20...+40 °C	IP20	CE

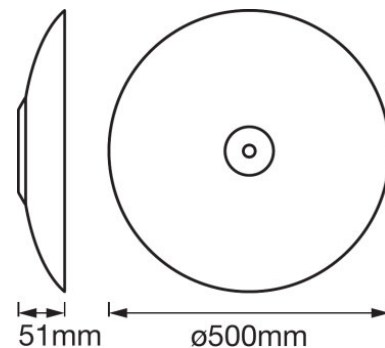
Product description	Energy clas. of compatible lamps
SMART+ TIBEA MINI	A++/A+/A/B/C/D/E
SMART+ TIBEA Pendant	A++/A+/A/B/C/D/E
SMART+ TIBEA Ceiling	A++/A+/A/B/C/D/E



SMART+ TIBEA MINI



SMART+ TIBEA Pendant



SMART+ TIBEA Ceiling

EQUIPMENT / ACCESSORIES

– TIBEA style lamps can be combined with these luminaires

APPLICATION ADVICE

For more detailed application information and graphics please see product datasheet.

LOGISTICAL DATA

Product code	Packaging unit (Pieces/Unit)	Dimensions (length x width x height)	Gross weight	Volume
4058075168763	Shipping carton box 4	415 mm x 255 mm x 253 mm	2713.00 g	26.77 dm ³
4058075168701	Shipping carton box 2	570 mm x 460 mm x 230 mm	3772.00 g	60.31 dm ³
4058075168640	Shipping carton box 2	750 mm x 610 mm x 172 mm	5259.00 g	78.69 dm ³

The mentioned product code describes the smallest quantity unit which can be ordered. One shipping unit can contain one or more single products. When placing an order, for the quantity please enter single or multiples of a shipping unit.

DISCLAIMER

Subject to change without notice. Errors and omission excepted. Always make sure to use the most recent release.