

PRODUCT FAMILY DATASHEET

HIGH BAY DALI

LED high-bay luminaires with DALI interface



AREAS OF APPLICATION

- Replacement for high bay luminaires with mercury vapor or metal halide lamps
- Warehouses
- Logistics halls
- Industry
- High ceiling (e.g. in shopping malls, airports, commercial buildings, lobbies)

PRODUCT BENEFITS

- High compatibility thanks to DALI-2 certification
- DALI 2.0 interface for dimming and sensor operations
- Low flicker light thanks to special electronic control gear
- High luminous efficacy
- Easy electrical connection due to push button connector
- Energy savings of up to 90 % compared to conventional high bay luminaires
- 5 years guarantee

PRODUCT FEATURES

- Pre-configured DALI driver included
- Luminous efficacy: up to 140 lm/W
- Type of protection: IP65



TECHNICAL DATA

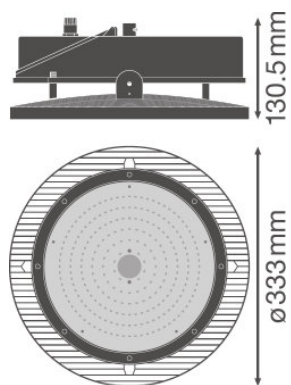
Product description	Electrical data			Luminaire control gear data				
	Nominal wattage	Nominal voltage	Mains frequency	Output current	ECG - Output ripple current	ECG - Life time	Low flicker	Max. no. of lum. on circuit break. B16 A
HB DALI 90 W 4000 K 115 DEG IP65 BK	90.00 W	220...240 V	0/50/60 Hz	1000 mA	<10 %	100000 h	Yes	8
HB DALI 155 W 4000 K 115 DEG IP65 BK	155.00 W	220...240 V	0/50/60 Hz	880 mA	<10 %	100000 h	Yes	5

Product description	Photometrical data			Color temperature	Luminous flux	Light color (designation)	Color rendering index Ra	Light technical data Beam angle	Dimensions & weight	
	Max. no. of lum. on circuit break. C10 A	Max. no. of lum. on circuit break. C16 A	Diameter						Height	
HB DALI 90 W 4000 K 115 DEG IP65 BK	10	16	4000 K	13000 lm	Cool White	>80	115 °	330.0 mm	130.0 mm	
HB DALI 155 W 4000 K 115 DEG IP65 BK	6	10	4000 K	22000 lm	Cool White	>80	115 °	360.0 mm	131.0 mm	

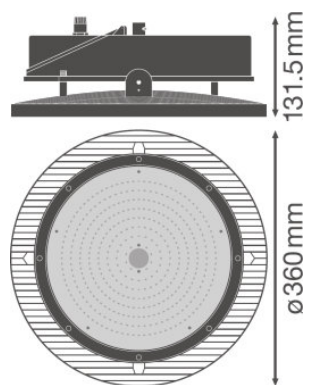
Product description	Product weight	Colors & materials				Temperatures & operating conditions Ambient temperature range	Lifespan Number of switching cycles	Lifespan L70/B50 at 25 °C
		Body material	Housing color	Product color	Cover material			
HB DALI 90 W 4000 K 115 DEG IP65 BK	3170.00 g	Aluminum	Black	Black	Polycarbonate (PC)	-30...+50 °C	50000	80000 h
HB DALI 155 W 4000 K 115 DEG IP65 BK	4985.00 g	Aluminum	Black	Black	Polycarbonate (PC)	-30...+50 °C	50000	80000 h

Product description	Lifespan L80/B10 at 25 °C	Lifespan L90/B10 at 25 °C	Capabilities				Certificates & standards
			Adjustable	Dimmable	Type of connection	Ball shot safe	Protection class
HB DALI 90 W 4000 K 115 DEG IP65 BK	50000 h	25000 h	Yes	Yes	Screwless terminal, 5-Pole	No	I
HB DALI 155 W 4000 K 115 DEG IP65 BK	50000 h	25000 h	Yes	Yes	Screwless terminal, 5-Pole	No	I

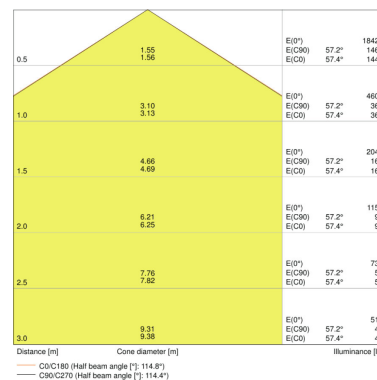
Product description	Type of protection	Luminaire with limited surface temperature, class "D"	Logistical data
			Temperature range at storage
HB DALI 90 W 4000 K 115 DEG IP65 BK	IP65	Yes	-40...+70 °C
HB DALI 155 W 4000 K 115 DEG IP65 BK	IP65	Yes	-40...+70 °C



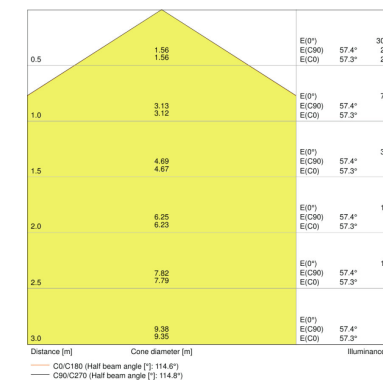
HB DALI 90 W 4000 K 115 DEG IP65 BK



HB DALI 155 W 4000 K 115 DEG IP65 BK



HB DALI 90 W 4000 K 115 DEG IP65 BK



HB DALI 155 W 4000 K 115 DEG IP65 BK

EQUIPMENT / ACCESSORIES

- Mounting hook included
- Mounting brackets and reflectors as separate accessory available

APPLICATION ADVICE

For more detailed application information and graphics please see product datasheet.

LOGISTICAL DATA

Product code	Packaging unit (Pieces/Unit)	Dimensions (length x width x height)	Gross weight	Volume
4058075130685	Shipping carton box 1	370 mm x 370 mm x 200 mm	5273.00 g	27.38 dm ³
4058075130678	Shipping carton box 1	400 mm x 400 mm x 200 mm	6388.00 g	32.00 dm ³

The mentioned product code describes the smallest quantity unit which can be ordered. One shipping unit can contain one or more single products. When placing an order, for the quantity please enter single or multiples of a shipping unit.

REFERENCES / LINKS

For Guarantee see

- ▶ www.ledvance.com/guarantee

DISCLAIMER

Subject to change without notice. Errors and omission excepted. Always make sure to use the most recent release.