

PRODUCT FAMILY DATASHEET

FLOODLIGHT SENSOR 50

Floodlight with symmetrical light output with 50 W and motion and daylight sensor



AREAS OF APPLICATION

- Replacement for floodlights with halogen lamps
- Car parks and underpasses
- Garages
- Public areas
- Construction areas
- D-sign according to EN 60598-2-24 for fire-risk commercial unit, f. e. by accumulation of dust

PRODUCT BENEFITS

- Easy adjustment of range, daylight and motion detection via rotary switch
- Frosted cover made of tempered glass for uniform illumination
- No upper light output ratio (ULOR 0%) when mounted at 0° tilt
- Energy savings of up to 90 % compared to halogen lamp floodlights
- 3 years guarantee

PRODUCT FEATURES

- Symmetrical beam angle: 100° x 100°
- Luminaire efficacy: up to 110 lm/W
- PIR motion and daylight sensor
- Deactivation of the sensor by switch setting
- Mounting bracket for up to 180° tilting
- Type of protection: IP65
- Impact resistance: IK07



- Ambient temperature in operation: -20...+40 °C
- Connection via 1 m cable, wiring required

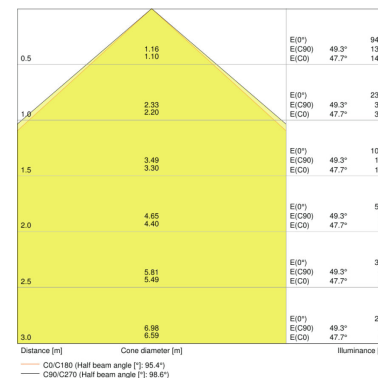
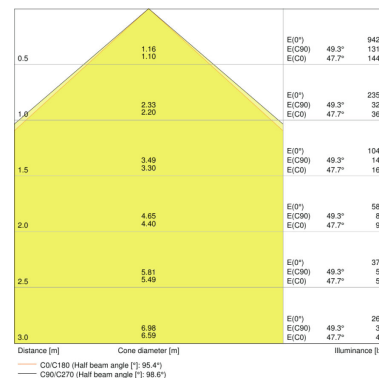
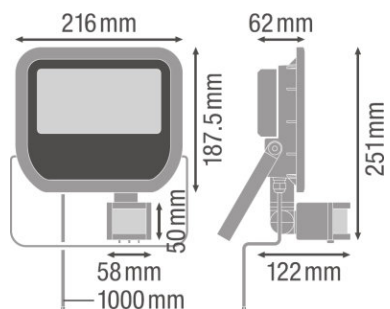
TECHNICAL DATA

Product description	Electrical data			Photometrical data			Light technical data	Luminaire sensor data	Dimensions & weight		
	Nominal wattage	Nominal voltage	Mains frequency	Luminous flux	Light color (designation)	Color rendering index Ra	Beam angle	Type of sensor	Length	Width	Height
FLOODLIGHT 50 W 3000 K IP65 BK S	50.00 W	220...240 V	50/60 Hz	5500 lm	Warm White	≥80	100 ° x 100 °	Motion / Light	251.0 mm	216.0 mm	122.0 mm
FLOODLIGHT 50 W 4000 K IP65 BK S	50.00 W	220...240 V	50/60 Hz	5500 lm	Cool White	≥80	100 ° x 100 °	Motion / Light	251.0 mm	216.0 mm	122.0 mm

Product description	Product weight	Colors & materials				Temperatures & operating conditions	Lifespan	
		Body material	Housing color	Product color	Cover material	Ambient temperature range	Number of switching cycles	Lifespan L70/B50 at 25 °C
FLOODLIGHT 50 W 3000 K IP65 BK S	930.00 g	Polycarbonate (PC)	Black	Black	Tempered glass	-20...+40 °C	50000	50000 h
FLOODLIGHT 50 W 4000 K IP65 BK S	930.00 g	Polycarbonate (PC)	Black	Black	Tempered glass	-20...+40 °C	50000	50000 h

Product description	Lifespan L80/B10 at 25 °C	Lifespan L90/B10 at 25 °C	Capabilities			Certificates & standards		
			Adjustable	Dimmable	Type of connection	Protection class	Type of protection	Luminaire with limited surface temperature, class "D"
FLOODLIGHT 50 W 3000 K IP65 BK S	30000 h	15000 h	Yes	No	Cable, 3-pole	I	IP65	Yes
FLOODLIGHT 50 W 4000 K IP65 BK S	30000 h	15000 h	Yes	No	Cable, 3-pole	I	IP65	Yes

Product description	Logistical data
	Temperature range at storage
FLOODLIGHT 50 W 3000 K IP65 BK S	-40...+70 °C
FLOODLIGHT 50 W 4000 K IP65 BK S	-40...+70 °C



FLOODLIGHT 50 W 3000 K IP65 BK S,
FLOODLIGHT 50 W 4000 K IP65 BK S

FLOODLIGHT 50 W 3000 K IP65 BK S

FLOODLIGHT 50 W 4000 K IP65 BK S

APPLICATION ADVICE

For more detailed application information and graphics please see product datasheet.

LOGISTICAL DATA

Product code	Packaging unit (Pieces/Unit)	Dimensions (length x width x height)	Gross weight	Volume
4058075143586	Shipping carton box 10	488 mm x 342 mm x 286 mm	10740.00 g	47.73 dm ³
4058075143609	Shipping carton box 10	488 mm x 342 mm x 286 mm	10740.00 g	47.73 dm ³

Product code	Packaging unit (Pieces/Unit)	Dimensions (length x width x height)	Gross weight	Volume
--------------	------------------------------	--------------------------------------	--------------	--------

The mentioned product code describes the smallest quantity unit which can be ordered. One shipping unit can contain one or more single products. When placing an order, for the quantity please enter single or multiples of a shipping unit.

REFERENCES / LINKS

For Guarantee see

▶ www.ledvance.com/guarantee

DISCLAIMER

Subject to change without notice. Errors and omission excepted. Always make sure to use the most recent release.