

# PRODUCT FAMILY DATASHEET

## DOWNLIGHT SLIM ROUND FRAME

Surface mounting frame, round shape



---

### AREAS OF APPLICATION

- General illumination
- Public areas
- Stairways
- Corridors
- Foyers
- Shops

---

### PRODUCT BENEFITS

- Cable entry on the side for electrical connection with low profil
- Easy installation thanks to included drilling template

---

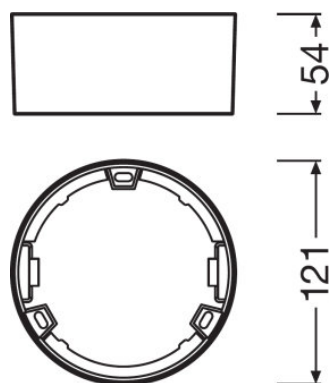
### PRODUCT FEATURES

- Low mounting depth
- Robust polycarbonate casing
- Mounting accessories included

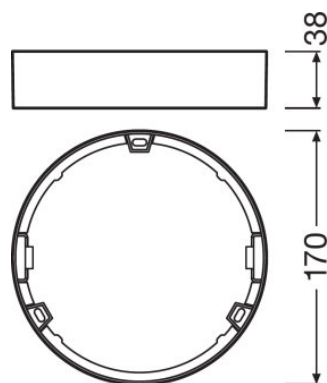


**TECHNICAL DATA**

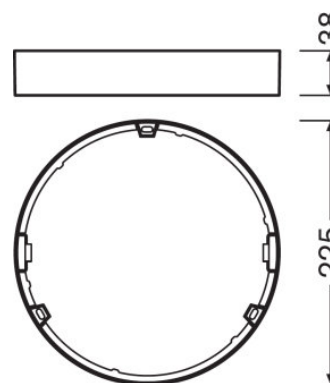
Product description	Dimensions & weight			Colors & materials
	Diameter	Height	Product weight	Product color
DL SLIM FRAME DN 105 WT	121.0 mm	54.0 mm	36.00 g	White
DL SLIM FRAME DN 155 WT	170.0 mm	38.0 mm	50.00 g	White
DL SLIM FRAME DN 210 WT	225.0 mm	38.0 mm	67.00 g	White



DL SLIM FRAME DN 105 WT



DL SLIM FRAME DN 155 WT



DL SLIM FRAME DN 210 WT

**APPLICATION ADVICE**

For more detailed application information and graphics please see product datasheet.

**LOGISTICAL DATA**

Product code	Packaging unit (Pieces/Unit)	Dimensions (length x width x height)	Gross weight	Volume
4058075079168	Shipping carton box 6	380 mm x 140 mm x 150 mm	624.00 g	7.98 dm <sup>3</sup>

Product code	Packaging unit (Pieces/Unit)	Dimensions (length x width x height)	Gross weight	Volume
4058075079182	Shipping carton box 6	280 mm x 190 mm x 200 mm	794.00 g	10.64 dm <sup>3</sup>
4058075079205	Shipping carton box 6	280 mm x 245 mm x 255 mm	1222.00 g	17.49 dm <sup>3</sup>

The mentioned product code describes the smallest quantity unit which can be ordered. One shipping unit can contain one or more single products. When placing an order, for the quantity please enter single or multiples of a shipping unit.

---

#### DISCLAIMER

Subject to change without notice. Errors and omission excepted. Always make sure to use the most recent release.