

PRODUCT FAMILY DATASHEET

Vintage 1906 PenduLum

Indoor pendant luminaires, vintage style, E27 socket



AREAS OF APPLICATION

- Living areas (living rooms, dining rooms, bedrooms etc.)
- Professional (hotels, bars, boutiques etc.)

PRODUCT BENEFITS

- Flexible lighting thanks to countless mounting possibilities
- Made of solid aluminum with high-quality appearance
- Semi-matt surface with great look and feel
- Accessories for flexible mounting options included

PRODUCT FEATURES

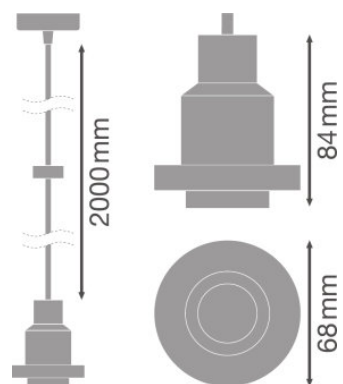
- Reduced industrial design
- Made of classic materials
- Special vintage appeal when combined with 1906 LED and halogen lamps
- Flexible mounting options: leash principle
- Available in various colors



TECHNICAL DATA

Product description	Electrical data		Dimensions & weight				Colors & materials			Capabilities	
	Nominal voltage	Mains frequency	Length	Diameter	Height	Product weight	Body material	Product color	Housing color	Dimmable	Type of connection
Vintage 1906 PenduLum Black	220...240 V	50/60 Hz	84.0 mm	68.0 mm	84.0 mm	481.00 g	Aluminum	Black	Black	No	Terminal, 2-pin
Vintage 1906 PenduLum Gold	220...240 V	50/60 Hz	84.0 mm	68.0 mm	84.0 mm	481.00 g	Aluminum	Gold	Gold	No	Terminal, 2-pin

Product description	Holder designation	Certificates & standards	
		Protection class	Type of protection
Vintage 1906 PenduLum Black	E27	II	IP20
Vintage 1906 PenduLum Gold	E27	I	IP20



Vintage 1906 PenduLum Black, Vintage 1906 PenduLum Gold

APPLICATION ADVICE

For more detailed application information and graphics please see product datasheet.

LOGISTICAL DATA

Product code	Packaging unit (Pieces/Unit)	Dimensions (length x width x height)	Gross weight	Volume
4058075003200	Shipping carton box 4	291 mm x 291 mm x 228 mm	3070.00 g	19.31 dm ³
4058075003224	Shipping carton box 4	291 mm x 291 mm x 228 mm	3015.00 g	19.31 dm ³

The mentioned product code describes the smallest quantity unit which can be ordered. One shipping unit can contain one or more single products. When placing an order, for the quantity please enter single or multiples of a shipping unit.

REFERENCES / LINKS

"Further information at
▶ www.edition-1906.com"

DISCLAIMER

Subject to change without notice. Errors and omission excepted. Always make sure to use the most recent release.