

# PRODUCT FAMILY DATASHEET

## LED STAR+ PAR16

LED reflector lamps PAR16 with retrofit pin base



### AREAS OF APPLICATION

- Spotighting for accents
- Display cabinets and shop windows
- Retail outlets and exhibition rooms
- Spotighting heat-sensitive objects such as food, plants, etc.
- Outdoor use in outdoor luminaires only (minimum IP65)
- Hospitality
- Shops

### PRODUCT BENEFITS

- Ideal for economical spotighting
- Alternative to line-voltage halogen lamps
- Very low energy consumption
- Extremely long life
- No UV and near-IR radiation in the light beam
- Shockproof and vibration-proof thanks to LED technology
- Efficient generation of white light
- Professional thermal management
- HD light quality for realistic color rendering effect

### PRODUCT FEATURES

- Professional LED lamps for line voltage
- Dimmable (with many common dimmers, see also [www.ledvance.com/dim](http://www.ledvance.com/dim))
- Base: GU10



- Mercury-free lamps
- Lifetime: up to 40,000 h
- HD light quality for very good, powerful colors and brilliant contrasts

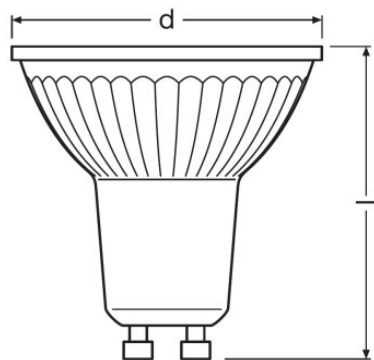
**TECHNICAL DATA**

Product description	Electrical data				Photometrical data				
	Nominal wattage	Nominal voltage	Max. lamp no. on circuit break. 10 A (B)	Max. lamp no. on circuit break. 16 A (B)	Lumen main.fact.at end of nom.life time	Light color (designation)	Color temperature	Luminous flux	Color rendering index Ra
SST PAR 16 50 36° 6.5 W/2700K GU10 <sup>1)</sup>	6.50 W	220...240 V	344	551	0.70	Warm White	2700 K	350 lm	97

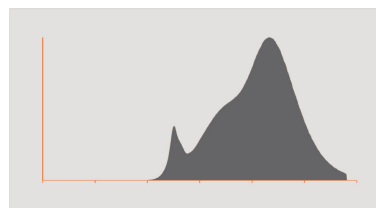
Product description	Dimensions & weight	Temperatures & operating conditions	Lifespan		Additional product data		Capabilities
	Overall length	Ambient temperature range	Nominal lamp life time	Number of switching cycles	Base (standard designation)	Mercury-free	Dimmable
SST PAR 16 50 36° 6.5 W/2700K GU10 <sup>1)</sup>	55.0 mm	-20...+40 °C	40000 h	1000000	GU10	Yes	Yes

Product description	Certificates & standards	Country-specific categorizations
	Energy efficiency class	ILCOS
SST PAR 16 50 36° 6.5 W/2700K GU10 <sup>1)</sup>	A	DRPAR-6,1/927-220-240-GU10-50/36

<sup>1)</sup> All technical parameters apply to the entire lamp/Due to the complex production process for light-emitting diodes, the typical values shown for the technical LED parameters are purely statistical values that do not necessarily match the actual technical parameters of each individual product, which can vary from the typical value



SST PAR 16 50 36° 6.5 W/2700K GU10



SST PAR 16 50 36° 6.5 W/2700K GU10

### APPLICATION ADVICE

For more detailed application information and graphics please see product datasheet.

### LOGISTICAL DATA

Product code	Packaging unit (Pieces/Unit)	Dimensions (length x width x height)	Gross weight	Volume
4058075035560	Shipping carton box 10	290 mm x 254 mm x 134 mm	860.00 g	9.87 dm <sup>3</sup>

The mentioned product code describes the smallest quantity unit which can be ordered. One shipping unit can contain one or more single products. When placing an order, for the quantity please enter single or multiples of a shipping unit.

### REFERENCES / LINKS

For dimming conformity see

▶ [www.ledvance.com/dim](http://www.ledvance.com/dim)

For further products and actual information concerning LED lamps see

▶ [www.ledvance.com/ledlamps](http://www.ledvance.com/ledlamps)

For Guarantee see

▶ [www.ledvance.com/guarantee](http://www.ledvance.com/guarantee)

---

#### DISCLAIMER

Subject to change without notice. Errors and omission excepted. Always make sure to use the most recent release.