

PRODUCT FAMILY DATASHEET

LED BASE PAR16

LED reflector lamps PAR16 with retrofit pin base



AREAS OF APPLICATION

- Spotlighting for accents
- Domestic applications
- Spotlighting heat-sensitive objects such as food, plants, etc.
- Outdoor applications only in suitable luminaires
- As a downlight for marking walkways, doors, stairs, etc.
- Atmospheric accent lighting throughout the home
- All domestic rooms, especially where the lamps are visible

PRODUCT BENEFITS

- Ideal for economical spotlighting
- Alternative to line-voltage halogen lamps
- Very low energy consumption
- No UV and near-IR radiation in the light beam
- Shockproof and vibration-proof thanks to LED technology
- Professional thermal management

PRODUCT FEATURES

- LED lamps for line voltage
- Not dimmable
- Base: GU10
- Mercury-free lamps



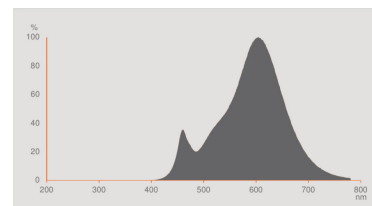
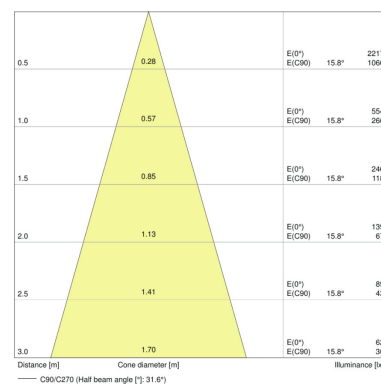
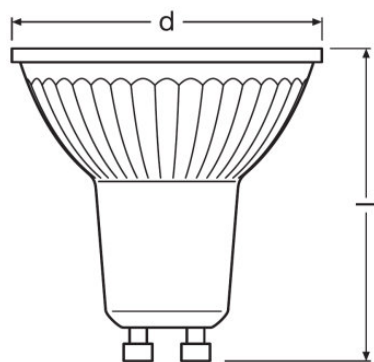
TECHNICAL DATA

Product description	Electrical data					Photometrical data			
	Nominal wattage	Nominal voltage	Claimed equiv. conventional lamp power	Max. lamp no. on circuit break. 10 A (B)	Max. lamp no. on circuit break. 16 A (B)	Nominal luminous flux	Rated luminous flux	Lumen main.fact.at end of nom.life time	Light color (designation)
BASE PAR 16 35 36° 2.6 W/4000K GU10 ¹⁾	2.60 W	220...240 V	35 W	526	842	230 lm	230 lm	0.70	Cool White
BASE PAR 16 50 36° 4.3 W/2700K GU10 ¹⁾	4.30 W	220...240 V	50 W	303	484	350 lm	350 lm	0.70	Warm White

Product description	Color temperature	Luminous flux	Color rendering index Ra	Light technical data	Dimensions & weight		Temperatures & operating conditions	Lifespan	
				Warm-up time (60 %)	Overall length	Diameter	Ambient temperature range	Nominal lamp life time	Number of switching cycles
BASE PAR 16 35 36° 2.6 W/4000K GU10 ¹⁾	4000 K	230 lm	≥80	< 0.50 s	55.0 mm	51.0 mm	-20...+40 °C	10000 h	100000
BASE PAR 16 50 36° 4.3 W/2700K GU10 ¹⁾	2700 K	350 lm	≥80	< 0.50 s	55.0 mm	51.0 mm	-20...+40 °C	10000 h	100000

Product description	Additional product data		Capabilities	Certificates & standards		Country-specific categorizations
	Base (standard designation)	Mercury-free	Dimmable	Energy efficiency class	Energy consumption	ILCOS
BASE PAR 16 35 36° 2.6 W/4000K GU10 ¹⁾	GU10	Yes	No	A++	3 kWh/1000h	
BASE PAR 16 50 36° 4.3 W/2700K GU10 ¹⁾	GU10	Yes	No	A++	5 kWh/1000h	DRPAR-4,3/840-220-240-GU10-50/36

¹⁾ All technical parameters apply to the entire lamp/Due to the complex production process for light-emitting diodes, the typical values shown for the technical LED parameters are purely statistical values that do not necessarily match the actual technical parameters of each individual product, which can vary from the typical value



BASE PAR 16 35 36° 2.6 W/4000K
GU10, BASE PAR 16 50 36° 4.3
W/2700K GU10

BASE PAR 16 35 36° 2.6 W/4000K GU10

BASE PAR 16 50 36° 4.3 W/2700K GU10

APPLICATION ADVICE

For more detailed application information and graphics please see product datasheet.

LOGISTICAL DATA

Product code	Packaging unit (Pieces/Unit)	Dimensions (length x width x height)	Gross weight	Volume
4058075157972	Shipping carton box 50	382 mm x 268 mm x 72 mm	2365.00 g	7.37 dm ³
4058075818408	Shipping carton box 30	264 mm x 251 mm x 71 mm	1718.00 g	4.70 dm ³

The mentioned product code describes the smallest quantity unit which can be ordered. One shipping unit can contain one or more single products. When placing an order, for the quantity please enter single or multiples of a shipping unit.

DISCLAIMER

Subject to change without notice. Errors and omission excepted. Always make sure to use the most recent release.