

PRODUCT FAMILY DATASHEET

LED SUPERSTAR MR16 GLOWdim

LED reflector lamps MR16 with GLOWdim effect



AREAS OF APPLICATION

- Hospitality
- Historical buildings
- Residential interiors
- Marine lighting
- Outdoor applications only in suitable luminaires

PRODUCT BENEFITS

- Provides an especially warm light when dimmed down
- Directly controllable via standard dimmer, no remote control required
- Can be easily combined with other GLOWdim products in one application
- Very long lifetime of up to 25,000 h
- Low energy consumption
- Easy relamping thanks to compact design

PRODUCT FEATURES

- LED alternative to conventional lamps
- Dimming changes light color from warm white (2,700 K) to extra warm white (2,000 K)
- Good quality of light; color rendering index $R_a \geq 80$
- Dimmable (with many common dimmers, see also www.ledvance.com/dim)
- Mercury-free lamps

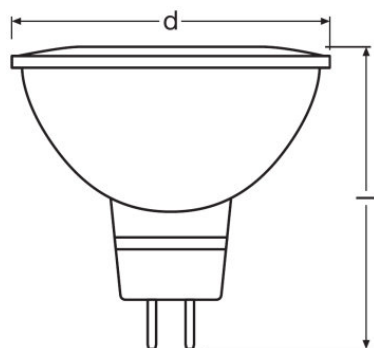


TECHNICAL DATA

Product description	Electrical data		Photometrical data					Dimensions & weight	Temperatures & operating conditions
	Nominal wattage	Nominal voltage	Lumen main.fact.at end of nom.life time	Light color (designation)	Color temperature	Luminous flux	Color rendering index Ra	Overall length	Ambient temperature range
SST MR16 35 36° 5 W/2700K GU5.3 1)	5.00 W	12 V	0.70	Tunable Warm White	2700 K	345 lm	≥80	45.0 mm	-20...+40 °C

Product description	Lifespan		Additional product data		Capabilities	Certificates & standards	Country-specific categorizations
	Nominal lamp life time	Number of switching cycles	Base (standard designation)	Mercury-free	Dimmable	Energy efficiency class	ILCOS
SST MR16 35 36° 5 W/2700K GU5.3 1)	15000 h	100000	GU5.3	Yes	Yes	A+	DRR-5,5-12-GU5,3-50/36

1) All technical parameters apply to the entire lamp/Due to the complex production process for light-emitting diodes, the typical values shown for the technical LED parameters are purely statistical values that do not necessarily match the actual technical parameters of each individual product, which can vary from the typical value



SST MR16 35 36° 5 W/2700K GU5.3

APPLICATION ADVICE

For more detailed application information and graphics please see product datasheet.

LOGISTICAL DATA

Product code	Packaging unit (Pieces/Unit)	Dimensions (length x width x height)	Gross weight	Volume
4058075037830	Shipping carton box 10	290 mm x 254 mm x 134 mm	678.00 g	9.87 dm ³

The mentioned product code describes the smallest quantity unit which can be ordered. One shipping unit can contain one or more single products. When placing an order, for the quantity please enter single or multiples of a shipping unit.

DISCLAIMER

Subject to change without notice. Errors and omission excepted. Always make sure to use the most recent release.