

PRODUCT FAMILY DATASHEET

LED RELAX and ACTIVE PAR16

LED reflector lamps PAR16 with retrofit pin base



AREAS OF APPLICATION

- Supports the bio rhythm when used in bed and children's room
- Outdoor applications only in suitable luminaires

PRODUCT BENEFITS

- Creates individual atmospheres: Warm White to relax, Cool White for activity
- Easy change of color temperature with double click of wall switch
- Always fitting light due to two light colors in one lamp: Warm White and Cool White
- Supports the biorhythm through activating and relaxing light color
- Long lifetime of up to 15,000 h
- Low energy consumption
- Easy relamping thanks to compact design
- Makes rooms multi-purpose with adjustable light atmosphere
- Turns kitchens, living rooms or home offices into either a work place or relax area

PRODUCT FEATURES

- Provides color temperatures of 2,700 K and 4,000 K in the same lamp
- Controllable via standard wall switch
- Good quality of light; color rendering index $R_a \geq 80$



- Mercury-free lamps

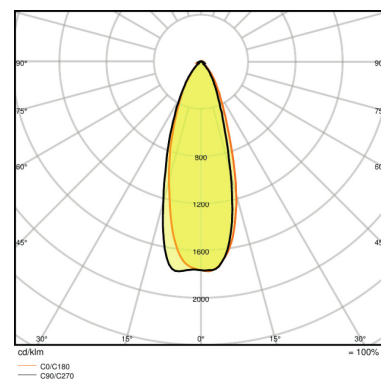
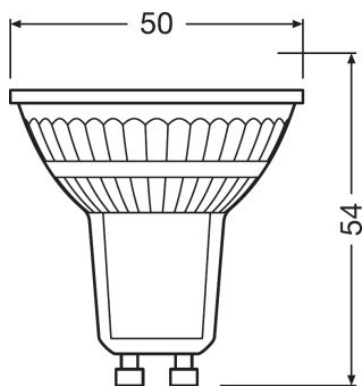
TECHNICAL DATA

Product description	Electrical data				Photometrical data				
	Nominal wattage	Nominal voltage	Max. lamp no. on circuit break. 10 A (B)	Max. lamp no. on circuit break. 16 A (B)	Lumen main.fact.at end of nom.life time	Light color (designation)	Color temperature	Luminous flux	Color rendering index Ra
SST Active & Relax PAR 16 50 36° 5.2 W/2700K GU10 ¹⁾	5.20 W	220...240 V	40	60	0.70	Warm White	2700 K	345 lm	≥80

Product description	Dimensions & weight	Temperatures & operating conditions	Lifespan		Additional product data		Capabilities
	Overall length	Ambient temperature range	Nominal lamp life time	Number of switching cycles	Base (standard designation)	Mercury-free	Dimmable
SST Active & Relax PAR 16 50 36° 5.2 W/2700K GU10 ¹⁾	54.0 mm	-20...+40 °C	15000 h	100000	GU10	Yes	No

Product description	Certificates & standards
	Energy efficiency class
SST Active & Relax PAR 16 50 36° 5.2 W/2700K GU10 ¹⁾	A+

¹⁾ All technical parameters apply to the entire lamp/Due to the complex production process for light-emitting diodes, the typical values shown for the technical LED parameters are purely statistical values that do not necessarily match the actual technical parameters of each individual product, which can vary from the typical value



SST Active & Relax PAR 16 50 36° 5.2
W/2700K GU10

SST Active & Relax PAR 16 50 36° 5.2
W/2700K GU10

APPLICATION ADVICE

For more detailed application information and graphics please see product datasheet.

LOGISTICAL DATA

Product code	Packaging unit (Pieces/Unit)	Dimensions (length x width x height)	Gross weight	Volume
4058075105645	Shipping carton box 6	322 mm x 154 mm x 135 mm	612.00 g	6.69 dm ³

The mentioned product code describes the smallest quantity unit which can be ordered. One shipping unit can contain one or more single products. When placing an order, for the quantity please enter single or multiples of a shipping unit.

DISCLAIMER

Subject to change without notice. Errors and omission excepted. Always make sure to use the most recent release.