

PRODUCT FAMILY DATASHEET

PARATHOM PAR16 GLOWdim

LED reflector lamps PAR16 with GLOWdim effect



AREAS OF APPLICATION

- Hospitality
- Historical buildings
- Residential interiors
- Outdoor applications only in suitable luminaires

PRODUCT BENEFITS

- Provides an especially warm light when dimmed down
- Directly controllable via dimmer, no remote control required
- Can be easily combined with other GLOWdim products in one application
- Very long lifetime of up to 25,000 h
- Low energy consumption
- Easy relamping thanks to compact design

PRODUCT FEATURES

- LED alternative to conventional lamps
- Dimming changes light color from warm white (2,700 K) to extra warm white (1,800 K)
- Good quality of light; color rendering index $R_a \geq 80$
- Dimmable (with many common dimmers, see also www.ledvance.com/dim)
- Mercury-free lamps



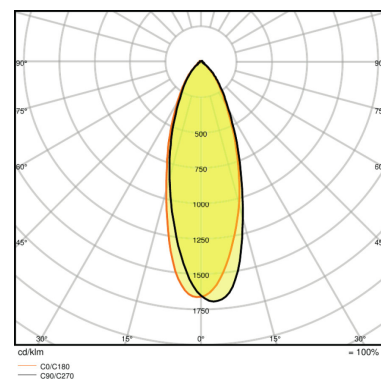
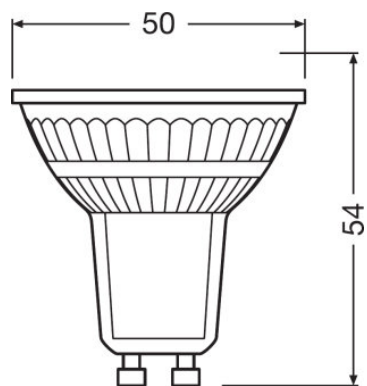
TECHNICAL DATA

Product description	Electrical data					Photometrical data			
	Nominal wattage	Nominal voltage	Claimed equiv. conventional lamp power	Max. lamp no. on circuit break. 10 A (B)	Max. lamp no. on circuit break. 16 A (B)	Lumen main.fact.at end of nom.life time	Light color (designation)	Color temperature	Luminous flux
P PAR16 GLdim 50 36° 4.6 W/2700K GU10 ¹⁾	4.60 W	220...240 V	50 W	20	30	0.70	Warm White	2700 K	350 lm

Product description	Color rendering index Ra	Light technical data	Dimensions & weight	Temperatures & operating conditions	Lifespan	Additional product data		
		Beam angle	Overall length	Ambient temperature range	Nominal lamp life time	Number of switching cycles	Base (standard designation)	Mercury-free
P PAR16 GLdim 50 36° 4.6 W/2700K GU10 ¹⁾	≥80	36 °	54.0 mm	-20...+40 °C	25000 h	100000	GU10	Yes

Product description	Capabilities	Certificates & standards
	Dimmable	Energy efficiency class
P PAR16 GLdim 50 36° 4.6 W/2700K GU10 ¹⁾	Yes	A+

¹⁾ All technical parameters apply to the entire lamp/Due to the complex production process for light-emitting diodes, the typical values shown for the technical LED parameters are purely statistical values that do not necessarily match the actual technical parameters of each individual product, which can vary from the typical value



P PAR16 GLdim 50 36° 4.6 W/2700K
GU10

P PAR16 GLdim 50 36° 4.6 W/2700K
GU10

APPLICATION ADVICE

For more detailed application information and graphics please see product datasheet.

LOGISTICAL DATA

Product code	Packaging unit (Pieces/Unit)	Dimensions (length x width x height)	Gross weight	Volume
4058075105386	Shipping carton box 10	255 mm x 107 mm x 72 mm	612.00 g	1.96 dm ³

The mentioned product code describes the smallest quantity unit which can be ordered. One shipping unit can contain one or more single products. When placing an order, for the quantity please enter single or multiples of a shipping unit.

DISCLAIMER

Subject to change without notice. Errors and omission excepted. Always make sure to use the most recent release.