

PRODUCT FAMILY DATASHEET

PARATHOM MR16 GLOWdim

LED reflector lamps MR16 with GLOWdim effect



AREAS OF APPLICATION

- Hospitality
- Historical buildings
- Residential interiors
- Marine lighting
- Outdoor applications only in suitable luminaires

PRODUCT BENEFITS

- Provides an especially warm light when dimmed down
- Directly controllable via standard dimmer, no remote control required
- Can be easily combined with other GLOWdim products in one application
- Very long lifetime of up to 25,000 h
- Low energy consumption
- Easy relamping thanks to compact design

PRODUCT FEATURES

- LED alternative to conventional lamps
- Dimming changes light color from warm white (2,700 K) to extra warm white (2,000 K)
- Good quality of light; color rendering index $R_a \geq 80$
- Dimmable (with many common dimmers, see also www.ledvance.com/dim)
- Mercury-free lamps



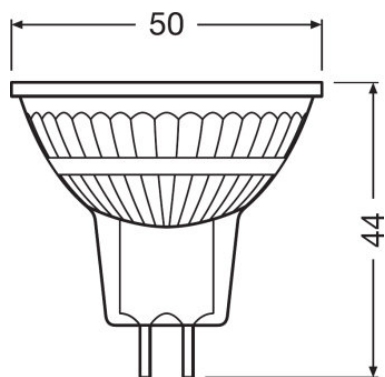
TECHNICAL DATA

| Product description | Electrical data | | | | | Photometrical data | | | |
|---|-----------------|-----------------|--|--|--|---|---------------------------|-------------------|---------------|
| | Nominal wattage | Nominal voltage | Claimed equiv. conventional lamp power | Max. lamp no. on circuit break. 10 A (B) | Max. lamp no. on circuit break. 16 A (B) | Lumen main.fact.at end of nom.life time | Light color (designation) | Color temperature | Luminous flux |
| P MR16 35 36° 5.2 W/2700K GU5.3 ¹⁾ | 5.20 W | 12 V | 35 W | 27 | 43 | 0.70 | Warm White | 2700 K | 350 lm |

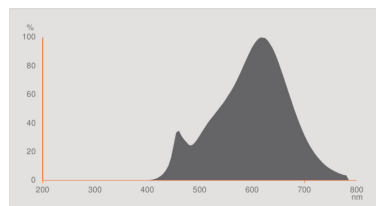
| Product description | Color rendering index Ra | Light technical data | Dimensions & weight | Temperatures & operating conditions | Lifespan | Additional product data | | |
|---|--------------------------|----------------------|---------------------|-------------------------------------|------------------------|----------------------------|-----------------------------|--------------|
| | | Beam angle | Overall length | Ambient temperature range | Nominal lamp life time | Number of switching cycles | Base (standard designation) | Mercury-free |
| P MR16 35 36° 5.2 W/2700K GU5.3 ¹⁾ | ≥80 | 36 ° | 44.0 mm | -20...+40 °C | 25000 h | 100000 | GU5.3 | Yes |

| Product description | Capabilities | Certificates & standards |
|---|--------------|--------------------------|
| | Dimmable | Energy efficiency class |
| P MR16 35 36° 5.2 W/2700K GU5.3 ¹⁾ | Yes | A+ |

¹⁾ All technical parameters apply to the entire lamp/Due to the complex production process for light-emitting diodes, the typical values shown for the technical LED parameters are purely statistical values that do not necessarily match the actual technical parameters of each individual product, which can vary from the typical value



P MR16 35 36° 5.2 W/2700K GU5.3



P MR16 35 36° 5.2 W/2700K GU5.3

APPLICATION ADVICE

For more detailed application information and graphics please see product datasheet.

LOGISTICAL DATA

| Product code | Packaging unit (Pieces/Unit) | Dimensions (length x width x height) | Gross weight | Volume |
|---------------|------------------------------|--------------------------------------|--------------|----------------------|
| 4058075105362 | Shipping carton box 10 | 255 mm x 107 mm x 72 mm | 546.00 g | 1.96 dm ³ |

The mentioned product code describes the smallest quantity unit which can be ordered. One shipping unit can contain one or more single products. When placing an order, for the quantity please enter single or multiples of a shipping unit.

DISCLAIMER

Subject to change without notice. Errors and omission excepted. Always make sure to use the most recent release.